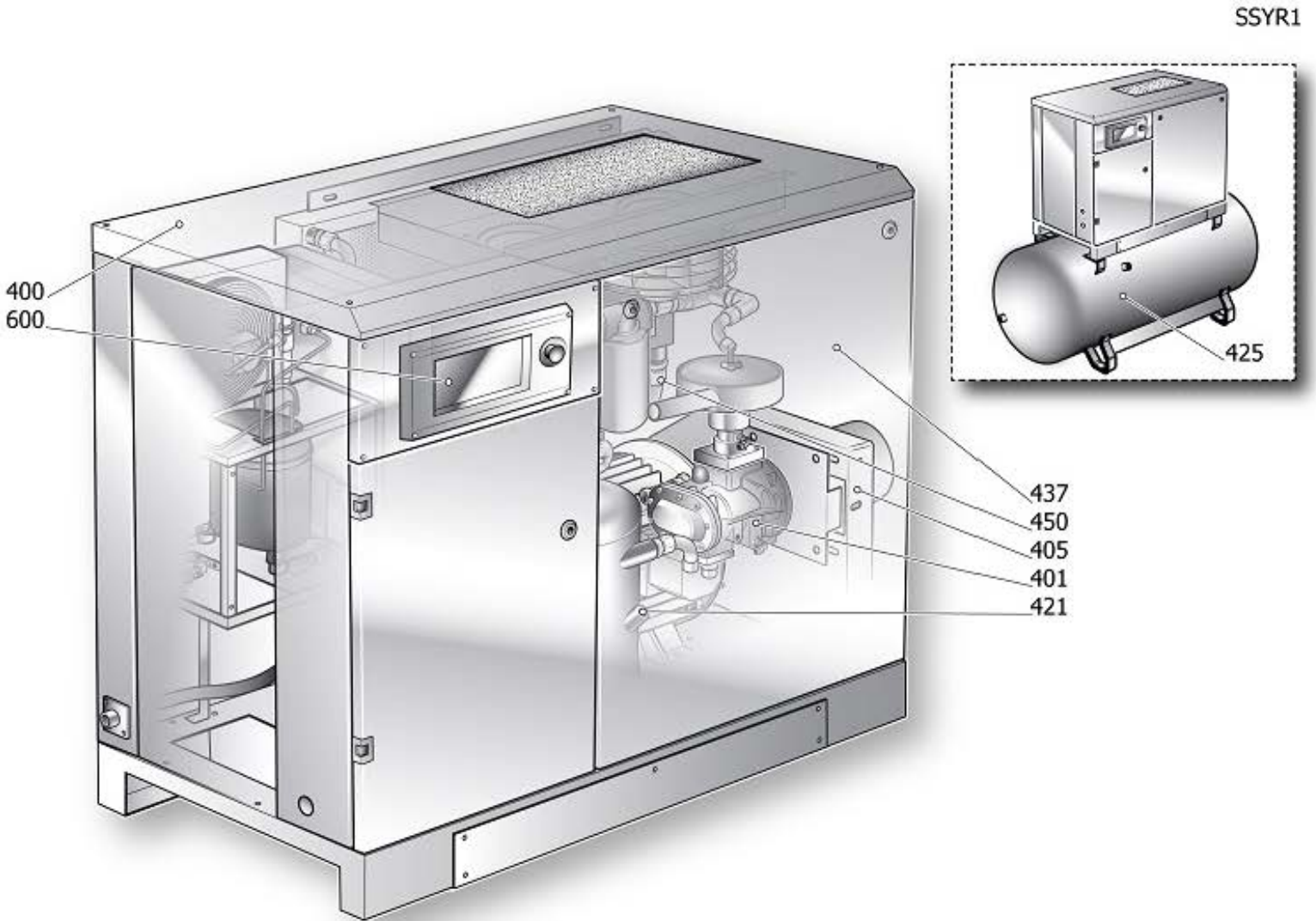


OMEGA POWER SYSTEM

For us, it's not just business. It's personal.

KELVIN 18.5-10 57560 CSA/UL PE

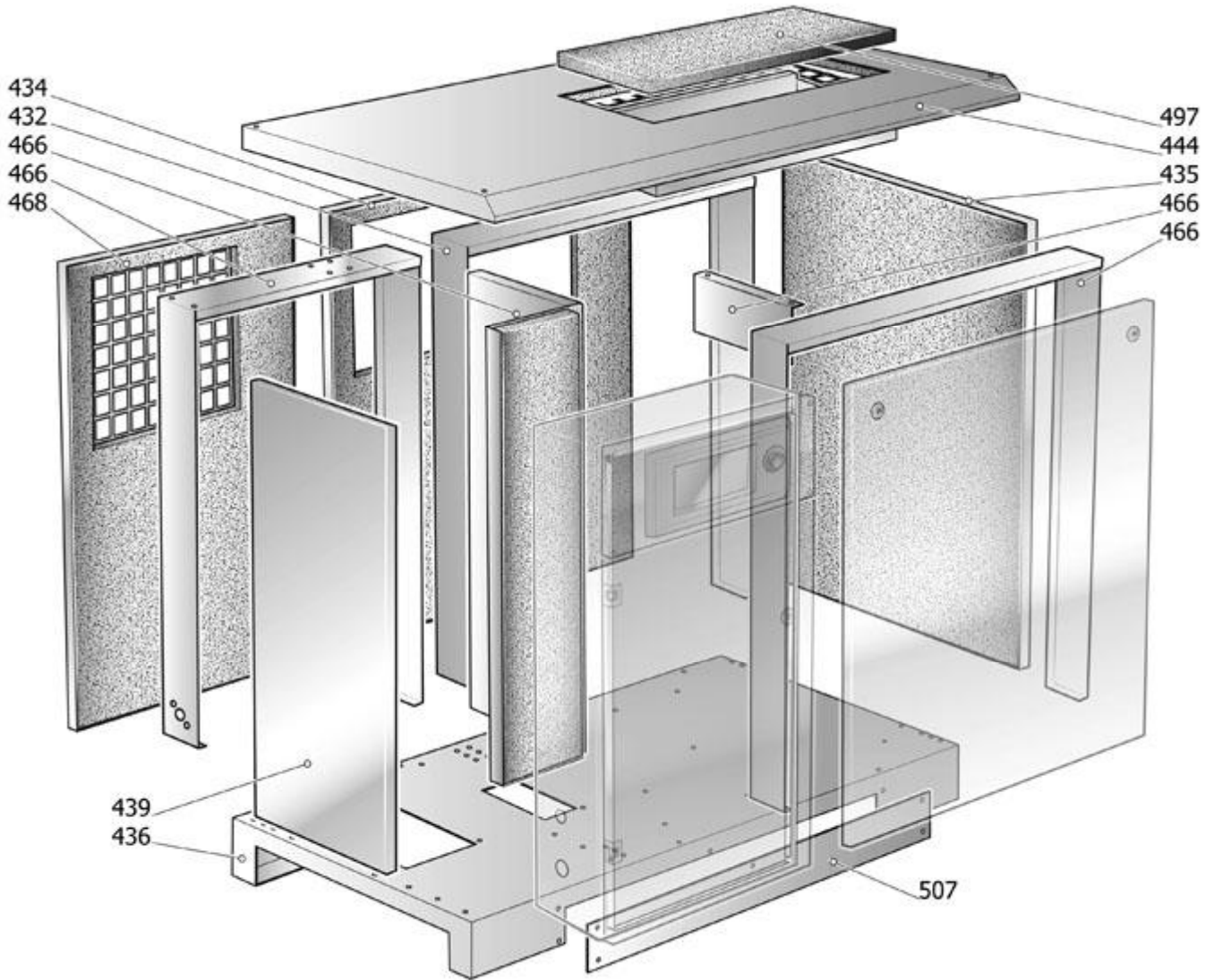


OMEGA

POWER SYSTEM

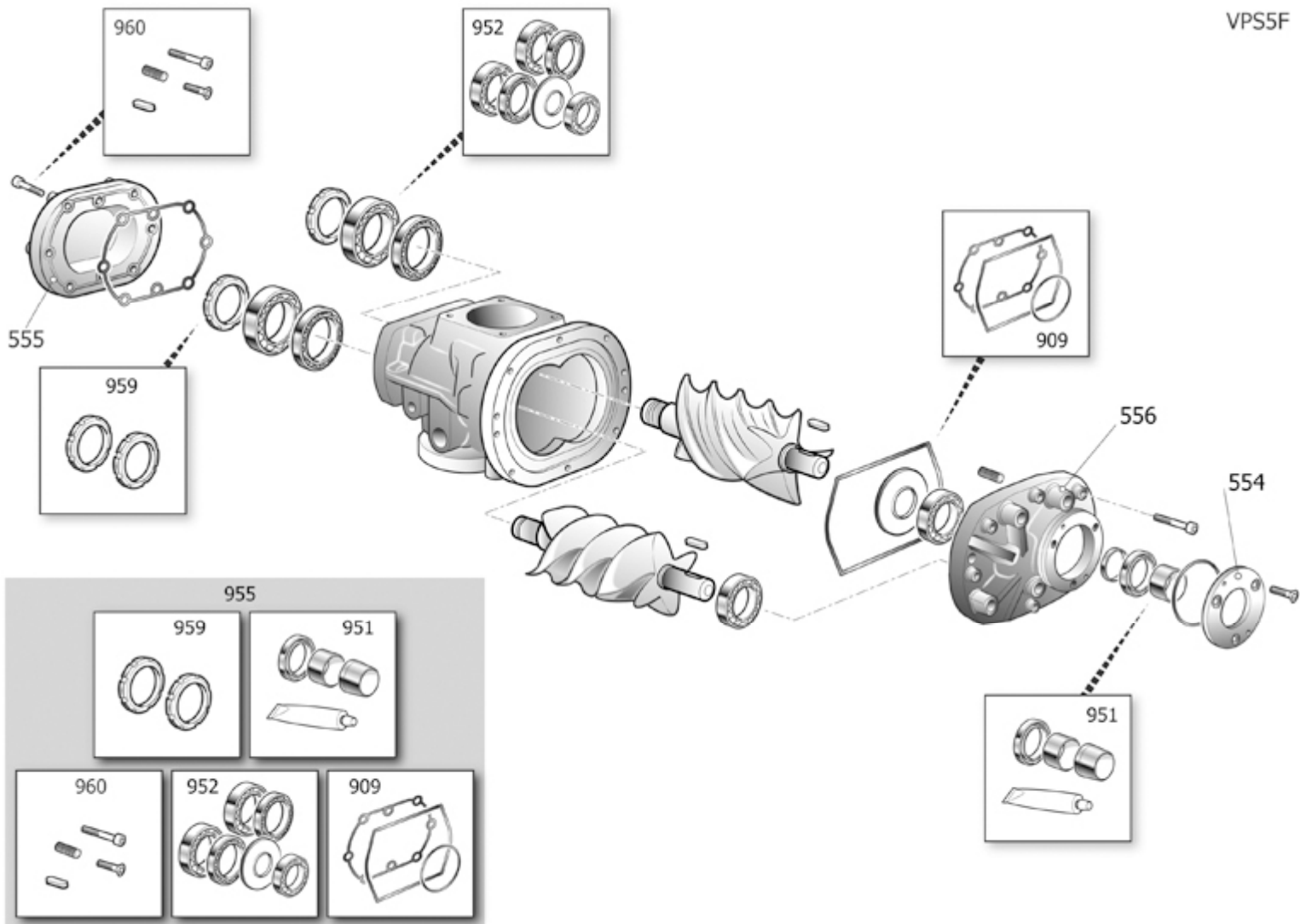
Pos	Component		MU	Multiplier
300	41K0174	WHEELS/FEET MOUNTING KIT	PZ	1,0
400		COMPLETE HOUSING		
401	#5304000135	AIR END	PZ	1,0
405		TRANSMISSION COMPONENTS		
421	#160SV0004V41	OIL SEPARATOR TANK	PZ	1,0
437	#260SY0061V45	FRONT DOOR	PZ	1,0
450		COMPRESSOR COMPONENT		
450		COMPRESSOR COMPONENT		
600	#460SU0007V45	ELECTRIC CABINET	PZ	1,0

COMPLETE HOUSING



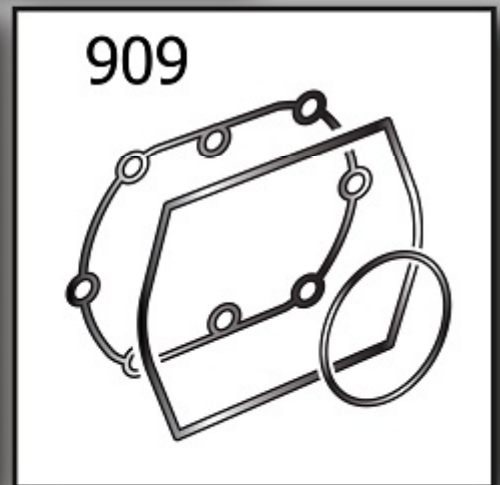
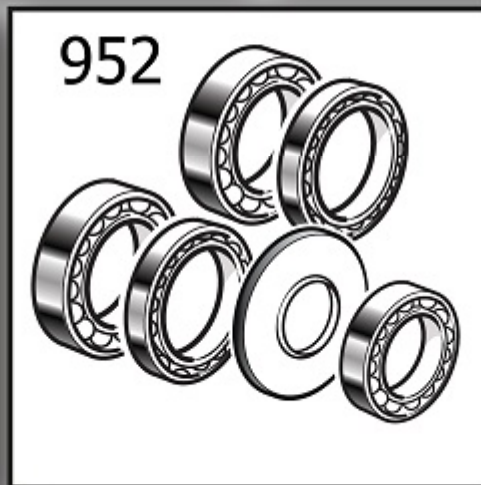
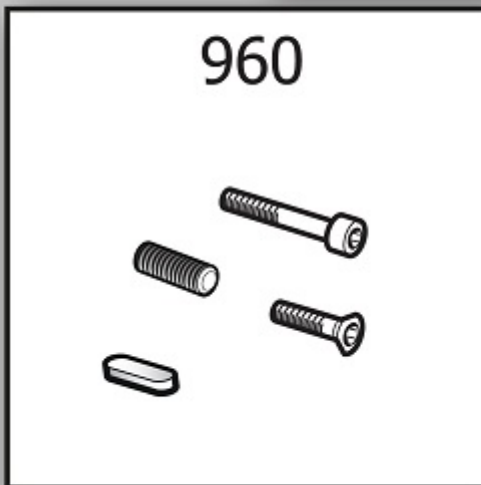
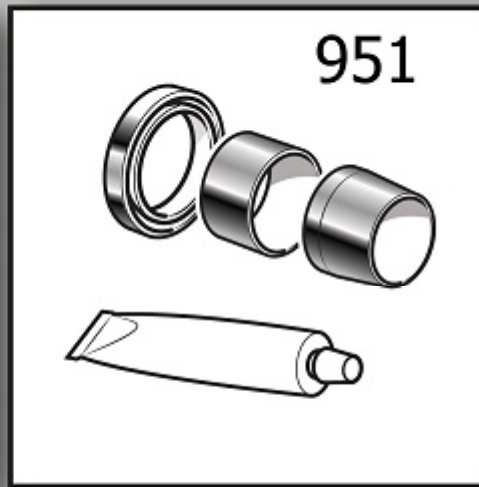
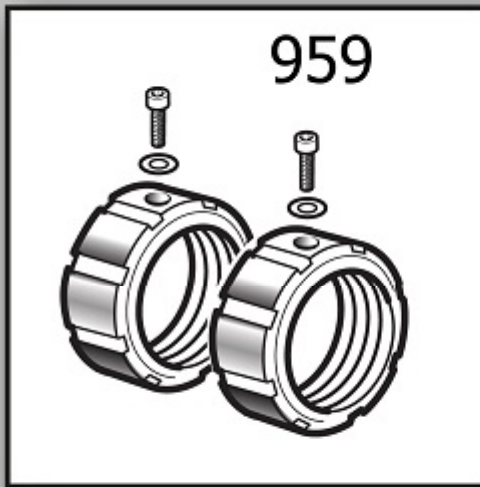
Pos	Component	MU	Multiplier
432	#_260SY0001V80 RADIATOR BRACKET	PZ	1,0
434	#_260SY0010V80 REAR PANEL	PZ	1,0
435	#_260SY0024V80 RH REAR PANEL	PZ	1,0
436	#_160SY0064V80 BASAMENTO KELVIN 18-22 7037B	PZ	1,0
439	#_160SY0018V80 LH REAR PANEL	PZ	1,0
444	#_260SU0001V80 UPPER PANEL	PZ	1,0
466	#_260SY0062V80 CENTRAL PANEL	PZ	1,0
466	#_260SY0065V80 CENTRAL PANEL	PZ	1,0
468	#_260SY0012V80 DRYER PANEL	PZ	1,0
497	#160SY0036 PREFILTER	PZ	1,0
507	#160SY0060V80 CONNECTION PLATE	PZ	2,0

VPS5F



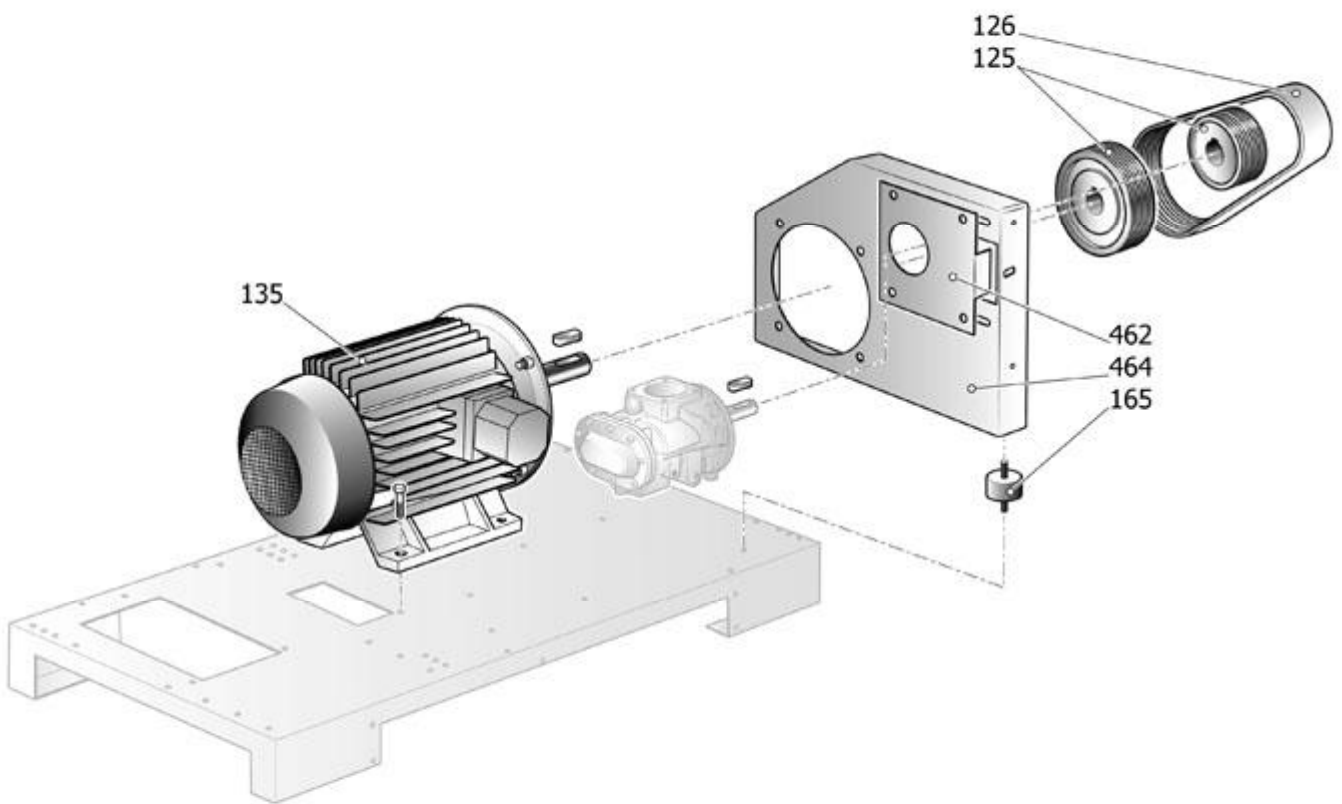
Pos	Component		MU	Multiplier
554	#130400013	SEAL SUPPORT	PZ	1,0
555	#130400003	REAR COVER	PZ	1,0
556	#130400015	BELL/FRONT SUPPORT	PZ	1,0
955	#230400201	AIR END OVERHAUL KIT	PZ	1,0

955



Pos	Component		MU	Multiplier
909	#230400250	KIT GUARNIZ. FS50TF/TFC/TM/TMC	PZ	1,0
951	#230400241	SEAL KIT	PZ	1,0
952	#230400230	BEARING KIT	PZ	1,0
959	#230400210	RING NUT KIT	PZ	1,0
960	#230400220	BOLTS AND SCREWS KIT	PZ	1,0

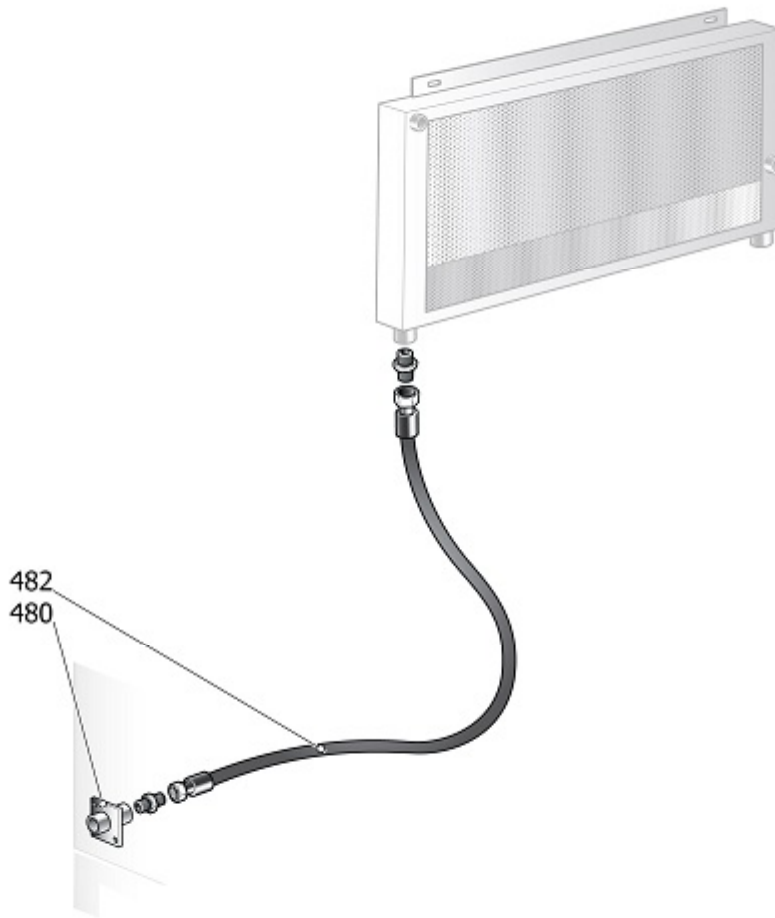
TRANSMISSION COMPONENTS



Pos	Component	MU	Multiplier
125	#140440004 PULLEY	PZ	1,0
125	#140463004 PULLEY	PZ	1,0
126	#045217000 POLY V BELT	PZ	1,0
135	#540P065662PE MOTOR	PZ	1,0
165	#020194010 ANTIVIBR.D60X45 MM10X46 60SH	PZ	5,0
462	#160SY0026V44 SCREW-MOTOR PLATE	PZ	1,0
464	#160SY0027V44 SCREW PLATE	PZ	1,0

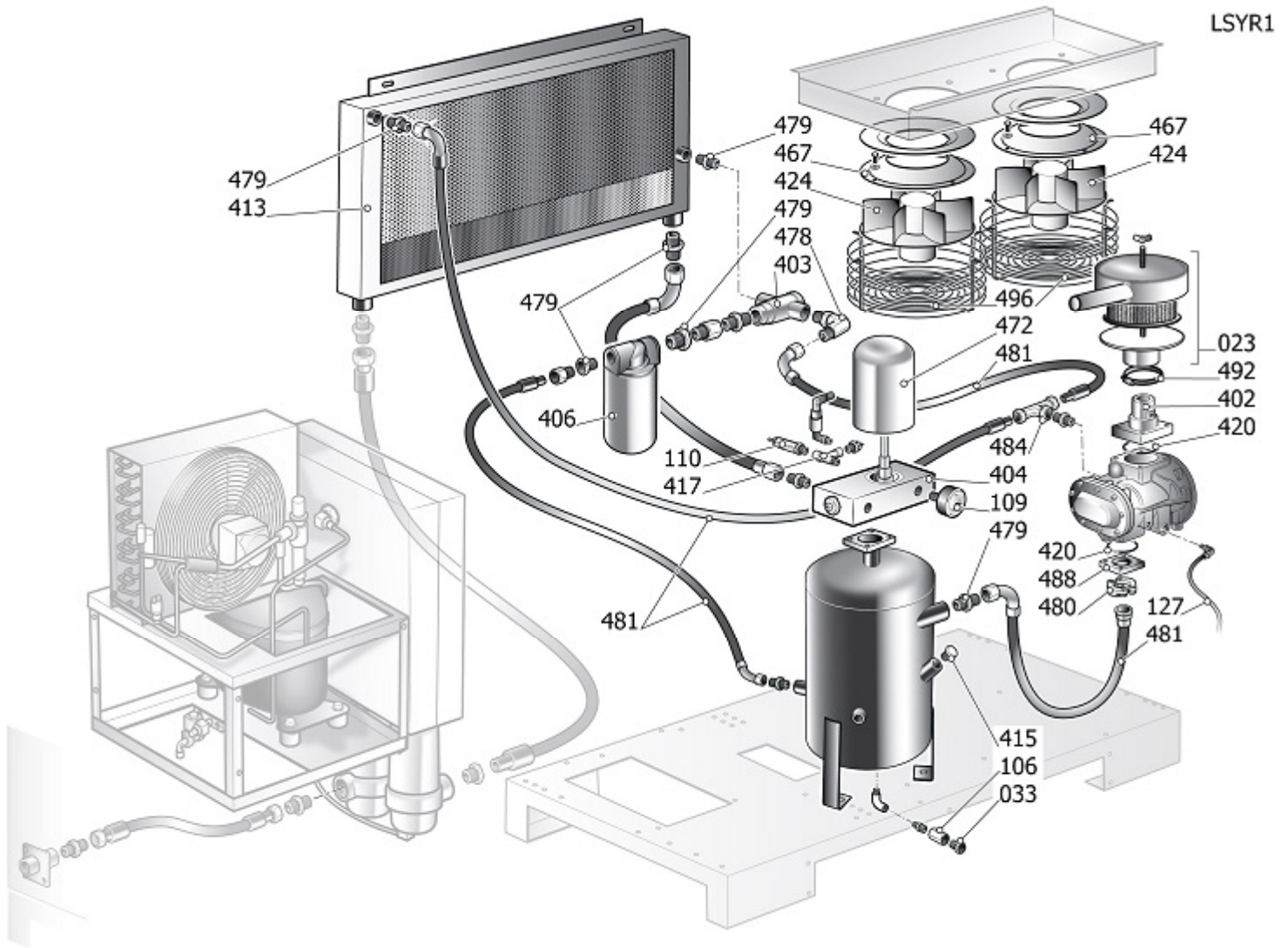
COMPRESSOR COMPONENT

LSJR4

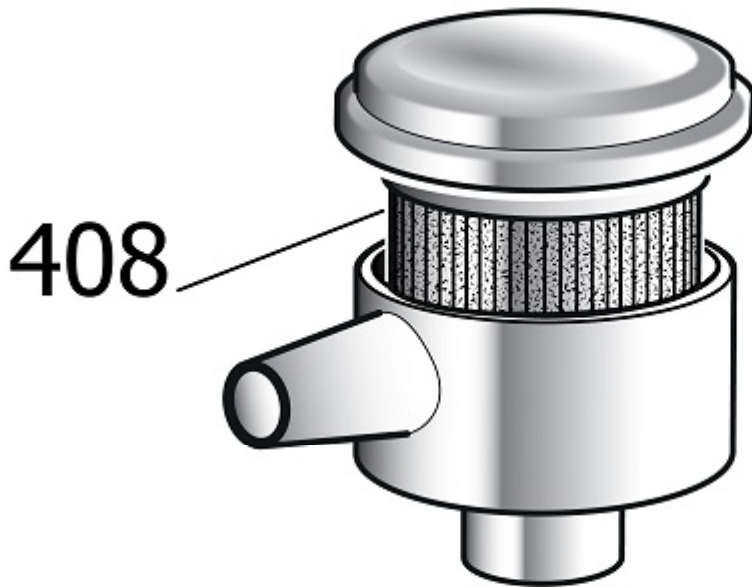


Pos	Component		MU	Multiplier
479	#011000405	RACC.ADT.MM 1"X3/4" BSP	PZ	1,0
480	#160SP0025	FLANGE	PZ	1,0
482	#160SY0045	TUBO FLX 3/4 BSP 2FD L1278	PZ	1,0
4014	#011000416	RACC.ADT.MM 3/4" OR-BSP	PZ	1,0

COMPRESSOR COMPONENT

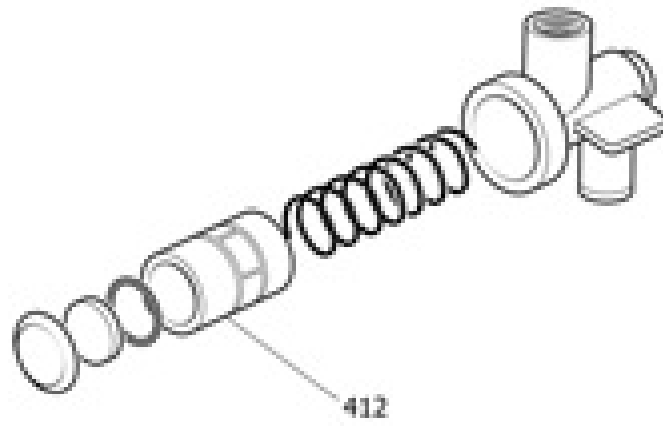


Pos	Component	MU	Multiplier
23	#317101000	AIR FILTER ASSEMBLY	PZ 1,0
32	#012088000	OIL LIGHT	PZ 1,0
92	#010082000	COVER SEAL	PZ 1,0
106	#322056000	LINE COCK	PZ 1,0
109	#330060000	PRESSURE GAUGE	PZ 1,0
120	#199264007	SPRING	PZ 1,0
127	9270019	RILSAN PIPE 4/6 WHITE "PTFE"	MT 0,1
130	#047211000	RELIEF VALVE	PZ 1,0
137	#008195012	SOLENOID VALVE	PZ 1,0
402	#419264025	INTAKE REGULATOR	PZ 1,0
403	#347059000	THERM. EXPANSION VALVE	PZ 1,0
404	#347150000SGL	MIN. PRESSURE VALVE	PZ 1,0
406	9054201	OIL FILTER	PZ 1,0
413	#048523000	AIR-OIL RADIATOR	PZ 1,0
416	#012096000	OIL LIGHT	PZ 1,0
417	#012077000	OIL PLUG	PZ 1,0
419	\$14402950	AIR-OIL SEPARATOR NIPPLE	PZ 1,0
420	#010054000	O RING 4187 VITON	PZ 1,0
420	#010090000	O RING 4250 VITON	PZ 1,0
420	#010093000	O-RING 3350 90X2,65	PZ 2,0
424	#024110008	ELECTRIC FAN	PZ 2,0
460	#160JL0111	OIL FILTER HEAD	PZ 1,0
472	#048353000	SEPARATOR FILTER	PZ 1,0
479	#011729000	NIPPLE 1"X1--1/4"+OR	PZ 1,0
479	4106488	NIPPLE G1/2 GF280	PZ 1,0
482	#160SY0030	TUBO FLX 1" BSP FD+F90 L598	PZ 1,0
482	#160SY0032	TUBO FLX 1" BSP FD+F90 L1030	PZ 1,0
482	#160SY0078	TUBO FLX 1/2 BSP FD+F90 L855	PZ 2,0
484	#011452000	UNION TEE R3/8	PZ 1,0
484	4101206	UNION TEE R3/8	PZ 1,0
488	#160ED0073	FLANGE, DELIVERY END	PZ 1,0
511	#160NM0017V44	RADIAL FAN SUPPORT BRAKER D250	PZ 2,0
700	#199264002	AIR INTAKE VALVE	PZ 1,0
702	#199264050	SHUTTER	PZ 1,0
703	#199264001	FLANGIA ATT.FILTRO ARIA IR30	PZ 1,0
3002	#191LX0010	TUBE FLEX 1/2"BSP FD+F90 L440	PZ 1,0
4000	#011000415	RACC.ADT.MM 1/2"X3/4" BSP	PZ 3,0
4003	#011000417	RACC.ADT.MM 1/2" OR-BSP	PZ 3,0
4005	#011100002	RACC.ADT.MF 1/2" GIR	PZ 3,0
4006	#011000411	RACC.ADT.90\$MM 1/2"OR-BSP	PZ 1,0
4018	#011730000	NIPPLE 1"+OR	PZ 2,0



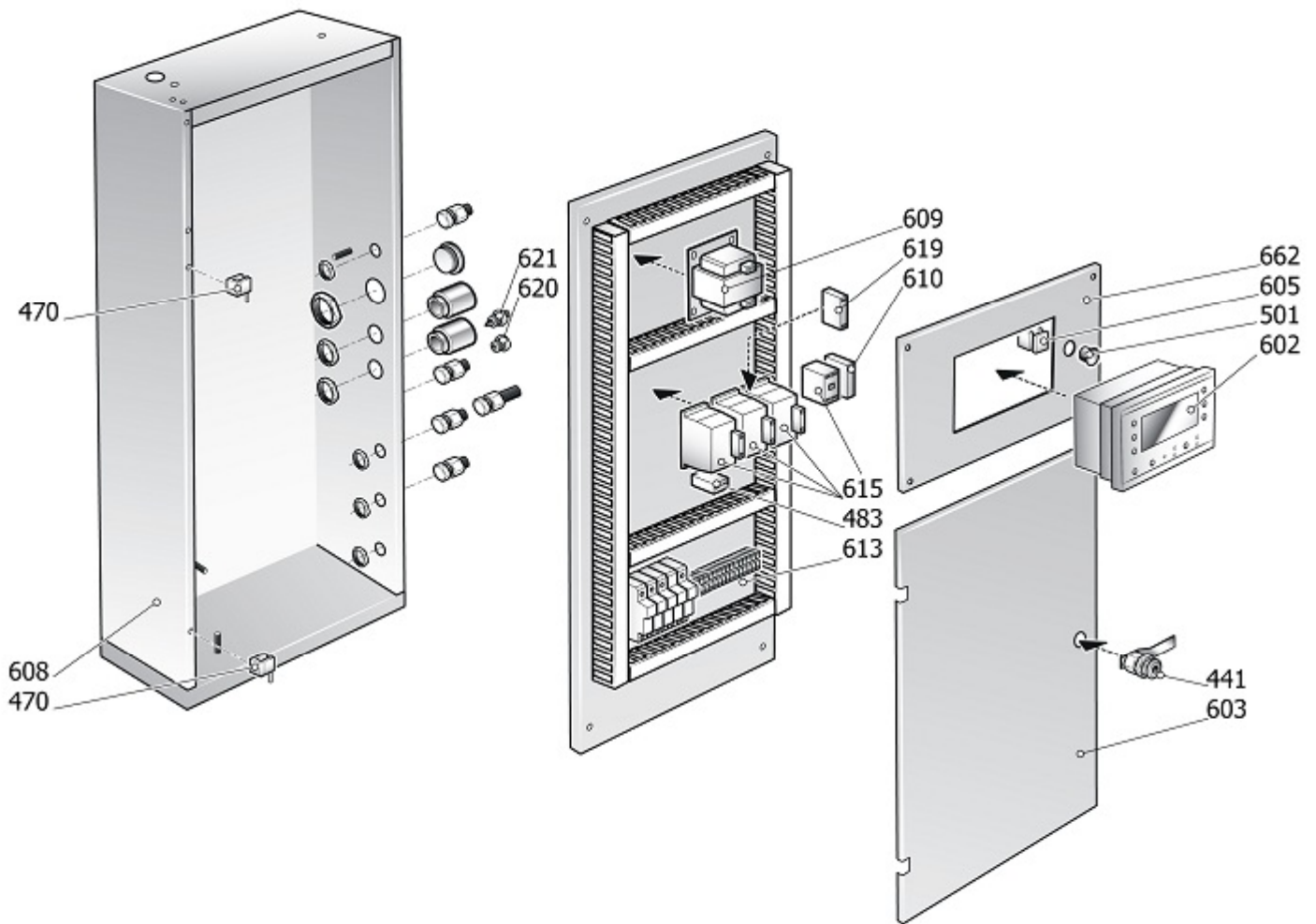
Pos	Component	MU	Multiplier
408	#017101000 AIR FILTER ELEMENT PLUS SD	PZ	1,0

VT149



Pos	Component	MU	Multiplier
412	#047151001 THERMOSTATIC VALVE ELEMENT	PZ	1,0

ESNR1



Pos	Component	MU	Multiplier
431	#160SG0006 CONTROL PANEL	PZ	1,0
457	#006062000 AIR TUBE	MT	2,3
501	#005409000 E-STOP BUTTON	PZ	1,0
601	#008333000 TEMP. PROBE	PZ	1,0
602	#305420100SGL CONTROLLER	PZ	1,0
605	#005697000 CONTACT	PZ	1,0
605	#005698000 CONTACT	PZ	1,0
609	#005684100 TRANSFORMER	PZ	1,0
610	#008490000 PHASE SEQUENCE RELAY	PZ	1,0
613	#005692000 FUS.1A 10X38 KTK-R-1 600V UL/C	PZ	2,0
613	#005693000 FUS.1A 10X38 LPCC 600V UL/CSA	PZ	6,0
613	#005694000 FUS.2A 10X38 LPCC 600V UL/CSA	PZ	8,0
613	#005706000 FUS.4A 10X38 KTK-R-4 600V UL/C	PZ	2,0
615	#005635000 CONTATTORE 3RT2015-1AB01 SIEME	PZ	1,0
615	#005639000 CONTATTORE 3RT2017-1AB02 SIEME	PZ	1,0
615	#005643000 CONTATTORE 3RT2018-1AB02 SIEME	PZ	1,0
615	#005644000 CONTATTORE 3RT2018-1AB01 SIEME	PZ	1,0
620	#008167010 TRANSDUCER	PZ	1,0