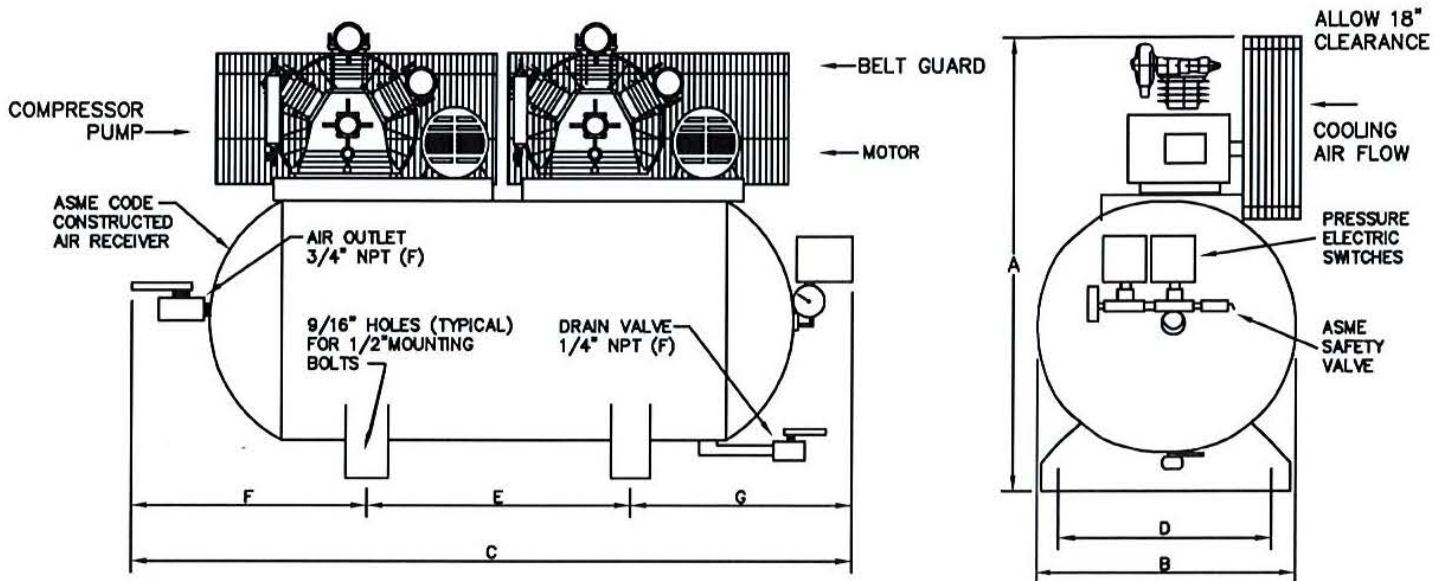


OMEGA COMPRESSORS

For us, it's not just business. It's personal.

GT-DX-200240



PERFORMANCE DATA

MODEL	HP	DELIVERY		PRESSURE SETTINGS		RECEIVER		COMPRESSOR			
		SCFM	L/S	PSIG	KPA	Gal US.	LITERS	PUMP	RPM	CYL	STGS
GT-DX-200240	20	68.8	32.5	120-150	828-1034	240	908	GT-200	920	3	2

DIMENSIONAL DATA (Inches)

MODEL	A	B	C	D	E	F	G
GT-DX-200240	65	30	110	27.5	54	32	24

WT. DISTRIBUTION (Lbs)

FT.1	FT.2	FT.3	FT.4	TOTAL
622	748	395	721	2486

ELECTRICAL DATA (60Hz)

HP.	APPROX. FULL LOAD AMPS					
	Single Phase		Three Phase			
	110V.	220V.	200V.	230V.	460V.	575V.
20	N/A	N/A	51.8	48.0	24.0	19.2

BELT GUARD SIDE	
2	4
1	3

OMEGA AIR COMPRESSORS	INDUSTRIAL SERIES	20 HP TANK MOUNTED DUPLEX COMPRESSOR	Print No: Dwg: Chk'd	ESJL33S-1 Scale: Not to. Wt Dist: +-5lbs
Typical only. Data & specifications may be subject to change. May not include accessory items for any particular order.			Project Reference:	