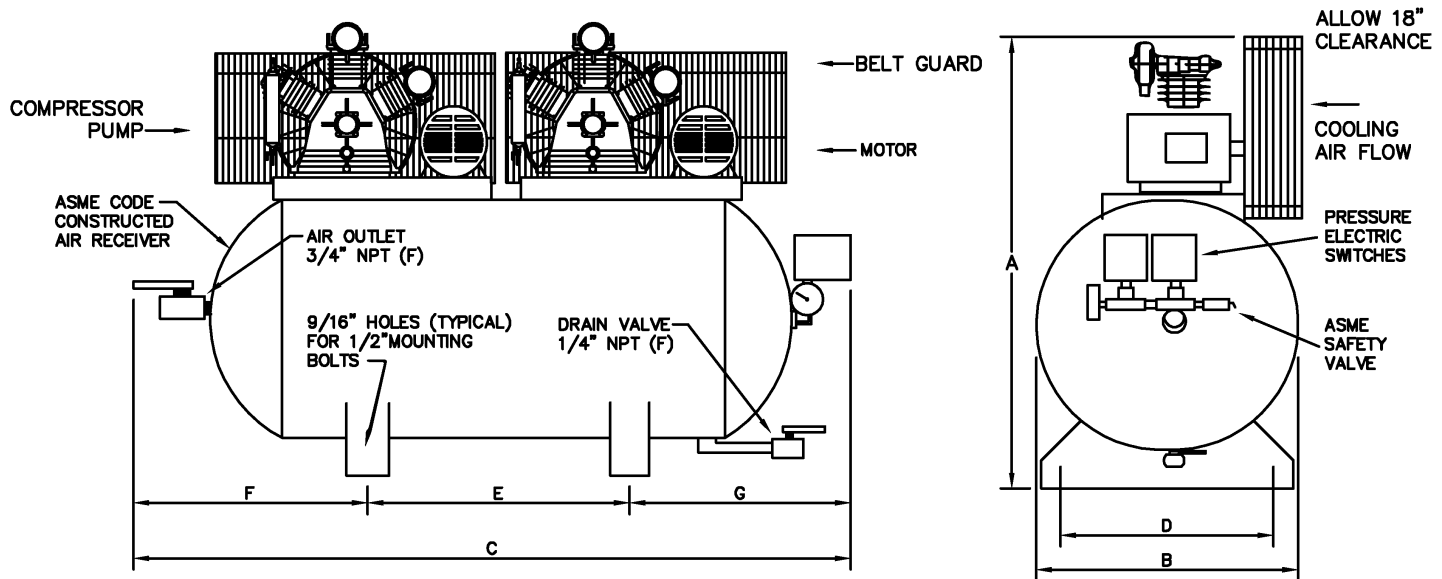


# OMEGA COMPRESSORS

For us, it's not just business. It's personal.

GT-DX-150240



### PERFORMANCE DATA

MODEL	HP	DELIVERY		PRESSURE SETTINGS		RECEIVER		COMPRESSOR			
		SCFM	L/S	PSIG	KPA	Gal US.	LITERS	PUMP	RPM	CYL	STGS
GT-DX-150240	15	52	24.5	120-150	828-1034	240	908	GT-200	668	3	2

### DIMENSIONAL DATA (Inches)

MODEL	A	B	C	D	E	F	G
GT-DX-150240	65	30	110	27.5	54	32	24

### WT. DISTRIBUTION (Lbs)

FT.1	FT.2	FT.3	FT.4	TOTAL
599	721	383	693	2396

### ELECTRICAL DATA (60Hz)

HP.	APPROX. FULL LOAD AMPS					
	Single Phase		Three Phase			
	110V.	220V.	200V.	230V.	460V.	575V.
15	N/A	N/A	40.6	37.6	18.8	15

BELT GUARD SIDE	
2	4
1	3

OMEGA AIR COMPRESSORS	INDUSTRIAL SERIES	15 HP TANK MOUNTED DUPLEX COMPRESSOR	Print No: Dwg: Chk'd	ESJL33S-1 Scale: Not to Wt Dist: +-5lbs
Typical only. Data & specifications may be subject to change. May not include accessory items for any particular order.			Project Reference:	