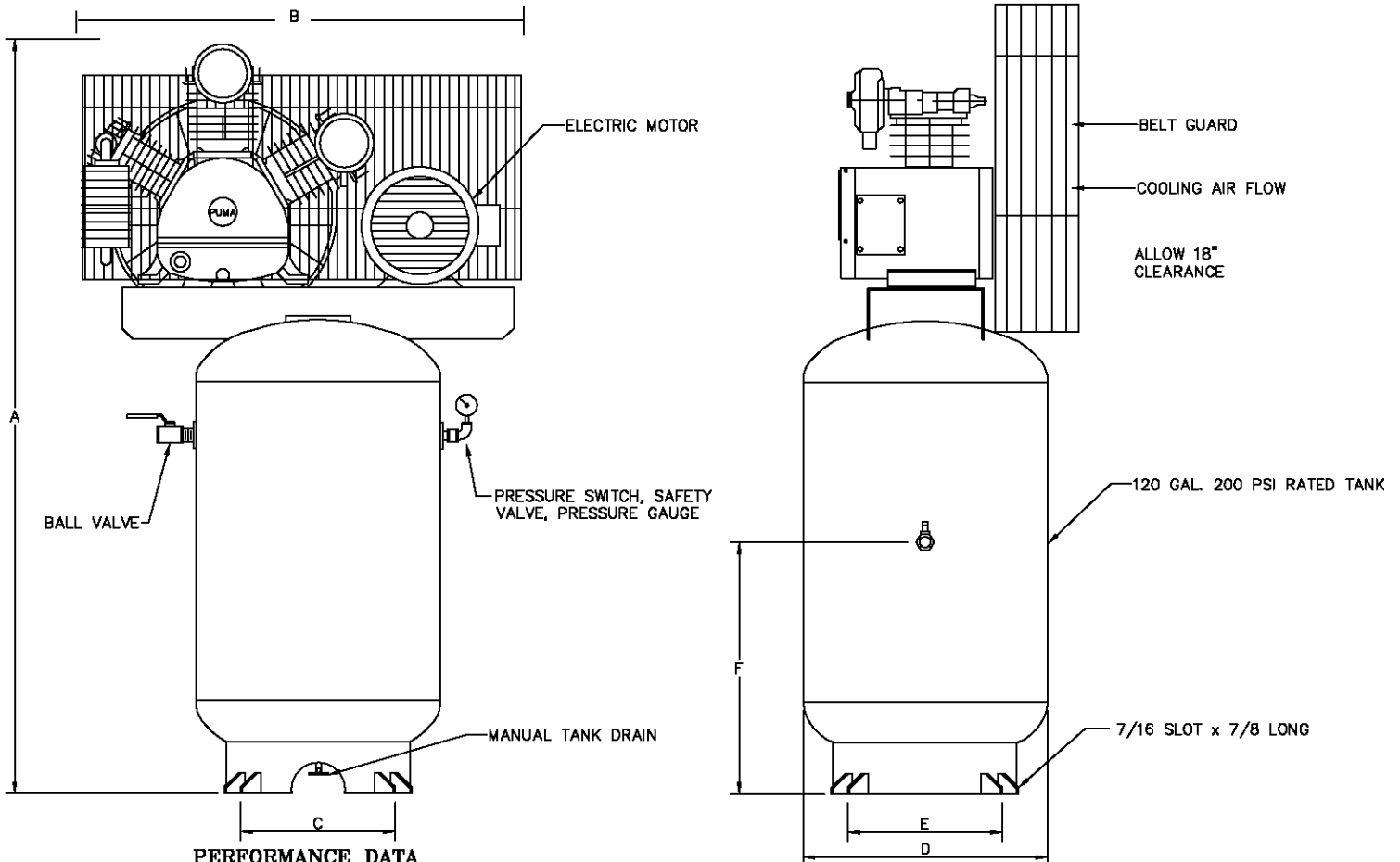


# OMEGA COMPRESSORS

For us, it's not just business. It's personal.

GT-150120V



**PERFORMANCE DATA**

MODEL	HP	DELIVERY		PRESSURE SETTINGS		RECEIVER		COMPRESSOR			
		SCFM	L/S	PSIG	KPA	Gal	US. LITERS	PUMP	RPM	CYL	STGS
GT-150120V	15	52	24.54	120-150	828-1034	120	454	GT-200	730	V-3	2

**DIMENSIONAL DATA (inches)**

MODEL	A	B	C	D	E	F	G
GT-150120V	84	47	19	30	19	40.5	N/A

**WT. DISTRIBUTION (lbs)**

FT.1	FT.2	FT.3	FT.4	TOTAL
324	391	208	378	1301

**ELECTRICAL DATA (60Hz)**

HP.	APPROX. FULL LOAD AMPS					
	Single Phase		Three Phase			
	110V.	220V.	200V.	230V.	460V.	575V.
15	N/A	N/A	40.6	37.6	18.8	15.0

BELT GUARD SIDE	
2	4
1	3

OMEGA AIR COMPRESSORS	INDUSTRIAL SERIES	15HP TANK MOUNTED SIMPLEX COMPRESSOR	Print No: Dwg: Chk'd	ESJL33S-1 Scale: Not to. Wt Dist: +-5lbs
Typical only. Data & specifications may be subject to change. May not include accessory items for any particular order.			Project Reference:	