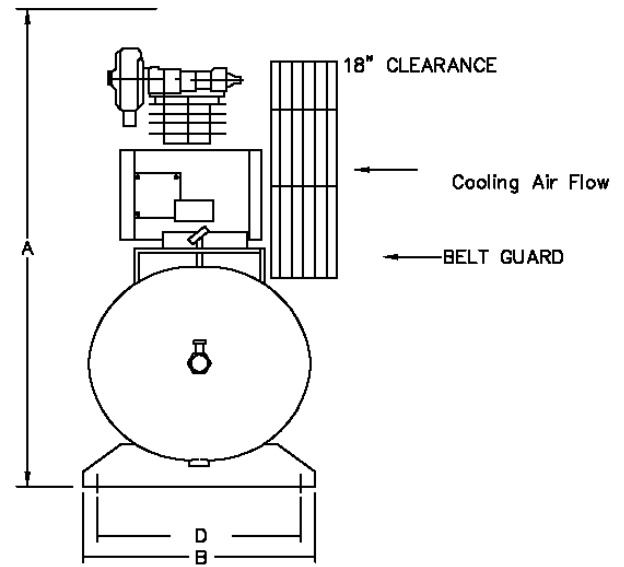
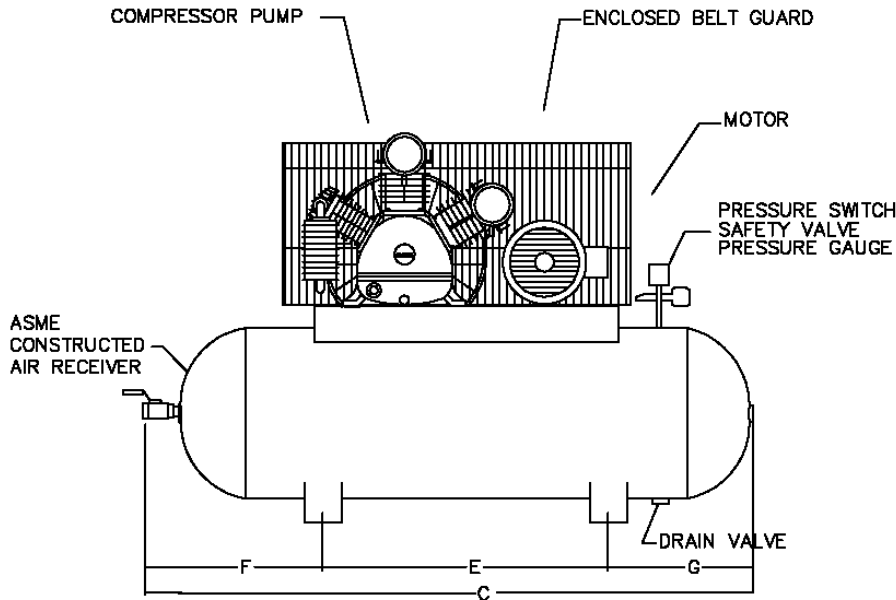


OMEGA COMPRESSORS

For us, it's not just business. It's personal.

GT-150120



PERFORMANCE DATA

MODEL	HP	DELIVERY		PRESSURE SETTINGS		RECEIVER		COMPRESSOR			
		SCFM	L/S	PSIG	KPA	Gal	US. LITERS	PUMP	RPM	CYL	STGS
GT-150120	15	52	24.54	120-150	828-1034	120	454	GT-200	668	V-3	2

DIMENSIONAL DATA (inches)

MODEL	A	B	C	D	E	F	G
GT-150120	57	29	75	23.75	42	19.5	13.5

WT. DISTRIBUTION (Lbs)

FT.1	FT.2	FT.3	FT.4	TOTAL
298	361	196	345	1200

ELECTRICAL DATA (60Hz)

HP.	APPROX. FULL LOAD AMPS					
	Single Phase		Three Phase			
	110V.	220V.	200V.	230V.	460V.	575V.
15	N/A	N/A	40.6	37.6	18.8	15.0

BELT GUARD SIDE	
2	4
1	3

OMEGA AIR COMPRESSORS	INDUSTRIAL SERIES	15 HP TANK MOUNTED SIMPLEX COMPRESSOR	Print No: Dwg: Chk'd	ESJL33S-1 Scale: Not to. Wt Dist: +-5lbs
Typical only. Data & specifications may be subject to change. May not include accessory items for any particular order.			Project Reference:	