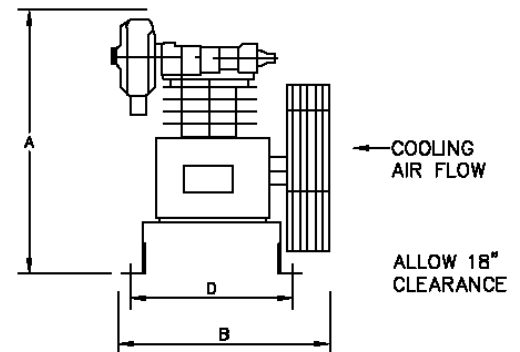
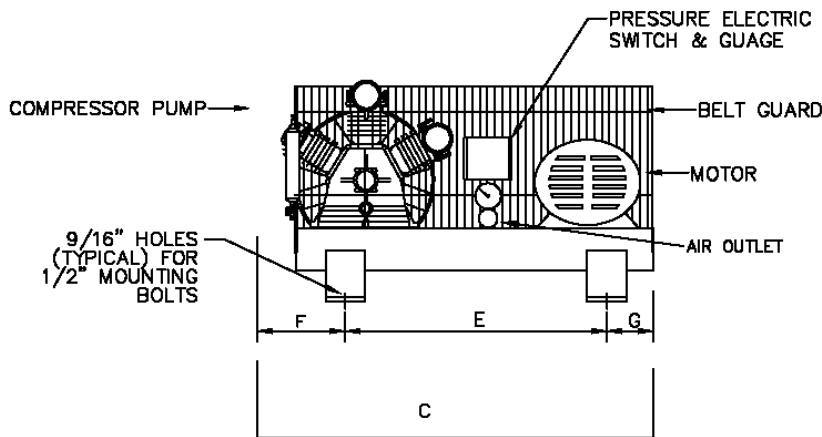


# OMEGA COMPRESSORS

For us, it's not just business. It's personal.

GT-150000



### PERFORMANCE DATA

MODEL	HP	DELIVERY		PRESSURE SETTINGS		RECEIVER		COMPRESSOR			
		SCFM	L/S	PSIG	KPA	Gal	US. LITERS	PUMP	RPM	CYL	STGS
GT-150000	15	52	24.54	120-150	828-1034	N/A	N/A	GT-200	668	3	2

### DIMENSIONAL DATA (inches)

MODEL	A	B	C	D	E	F	G
GT-150000	37	25	62	17.25	35.5	14.25	12.25

### WT. DISTRIBUTION (lbs)

FT.1	FT.2	FT.3	FT.4	TOTAL
232	278	148	261	919

### ELECTRICAL DATA (60Hz)

HP.	APPROX. FULL LOAD AMPS					
	Single Phase		Three Phase			
	110V.	220V.	200V.	230V.	460V.	575V.
15	N/A	N/A	40.6	37.6	18.8	15.0

BELT GUARD SIDE	
2	4
1	3

<b>OMEGA AIR COMPRESSORS</b>	<b>INDUSTRIAL SERIES</b>	<b>15HP BASE MOUNTED SIMPLEX COMPRESSOR</b>	<b>Print No: Dwg: Chk'd</b>	<b>ESJL33S-1 Scale: Not to. Wt Dist: +-5lbs</b>
----------------------------------	------------------------------	---	-------------------------------------	---

Typical only. Data & specifications may be subject to change.  
May not include accessory items for any particular order.

Project Reference: