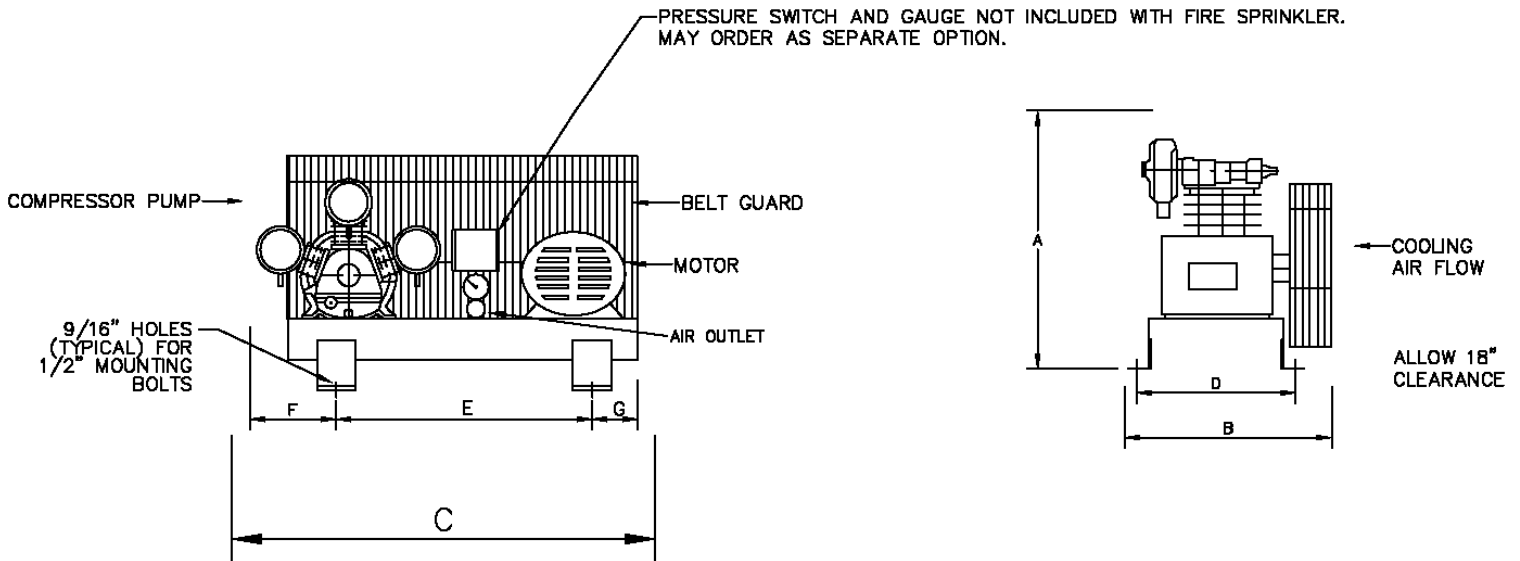


OMEGA COMPRESSORS

For us, it's not just business. It's personal.

FS-5000



PERFORMANCE DATA

MODEL	HP	DELIVERY		PRESSURE SETTINGS		RECEIVER		COMPRESSOR			
		SCFM	L/S	PSIG	KPA	Gal	US. LITERS	PUMP	RPM	CYL	STGS
FS-5000	5	25.5	12.04	30-50	207-345	N/A	N/A	CK-40	1200	3	1

DIMENSIONAL DATA (inches)

MODEL	A	B	C	D	E	F	G
FS-5000	22	20	33	18	27	3	3

WT. DISTRIBUTION (Lbs)

FT.1	FT.2	FT.3	FT.4	TOTAL
42	50	27	49	168

ELECTRICAL DATA (60Hz)

HP.	APPROX. FULL LOAD AMPS					
	Single Phase		Three Phase			
	110V.	220V.	200V.	230V.	460V.	575V.
5	N/A	20.8	15.0	14.0	7.0	5.6

BELT GUARD SIDE	
2	4
1	3

SYSTEM SIZE - 2400 GALS. IN SYSTEM TO BE PUMPED TO 35PSI IN 30 MINUTES.

OMEGA AIR COMPRESSORS	FIRE SPRINKLER	5HP BASE MOUNTED SIMPLEX COMPRESSOR	Print No: Dwg: Chk'd	ESJL33S-1 Scale: Not to. Wt Dist: +-5lbs
Typical only. Data & specifications may be subject to change. May not include accessory items for any particular order.			Project Reference:	