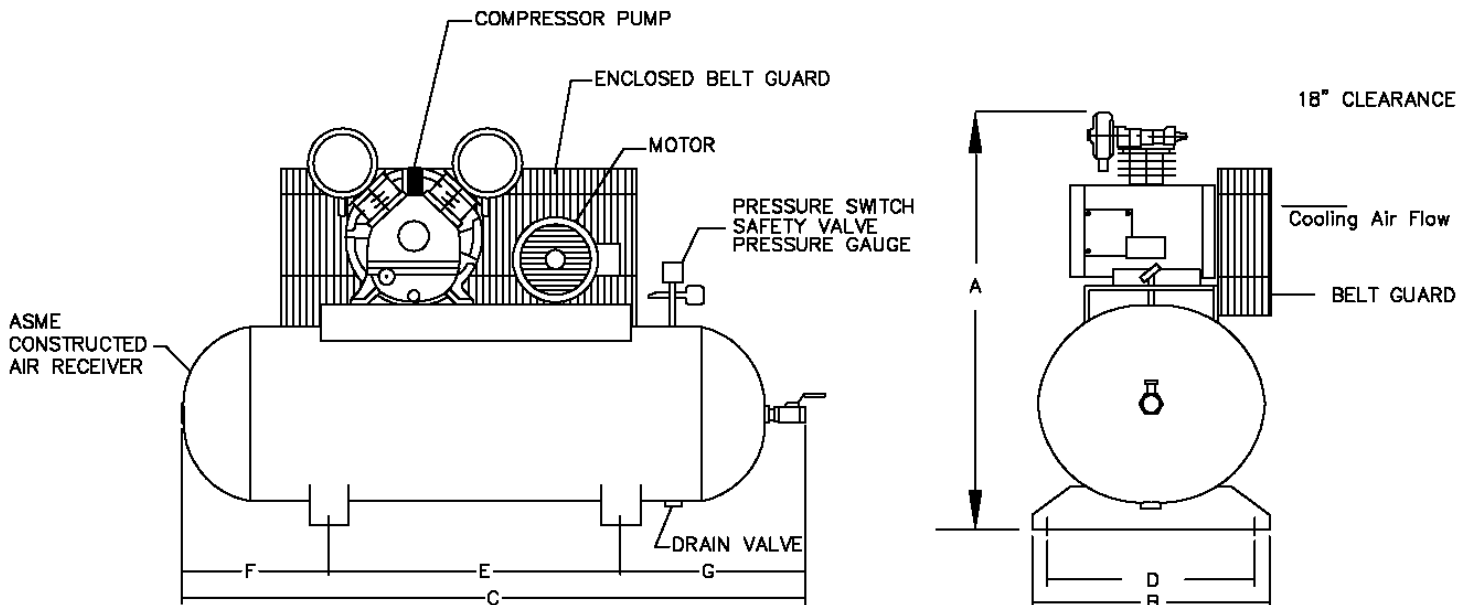


# OMEGA COMPRESSORS

For us, it's not just business. It's personal.

FS-01520



### PERFORMANCE DATA

MODEL	HP	DELIVERY		PRESSURE SETTINGS		RECEIVER		COMPRESSOR			
		SCFM	L/S	PSIG	KPA	Gal US.	LITERS	PUMP	RPM	CYL	STGS
FS-01520	1.5	7.7	3.64	30-50	207-345	20	76	PK-60	780	2	1

### DIMENSIONAL DATA (inches)

MODEL	A	B	C	D	E	F	G
FS-01520	31	16	45	14	18	14	13

### WT. DISTRIBUTION (Lbs)

FT.1	FT.2	FT.3	FT.4	TOTAL
51	60	33	57	201

### ELECTRICAL DATA (60Hz)

APPROX. FULL LOAD AMPS						
HP.	Single Phase		Three Phase			
	110V.	220V.	200V.	230V.	460V.	575V.
1.5	18.0	9.0	4.8	4.4	2.2	2.0

BELT GUARD SIDE	
2	4
1	3

SYSTEM SIZE - 725gals. in system to be pumped to 35psi in 30 minutes.

OMEGA AIR COMPRESSORS	SPRINKLER SERIES	1.5HP TANK MOUNTED FIRE SPRINKLER	Print No: Dwg: Chk'd	ESJL33S-1 Scale: Not to Wt Dist: +-5lbs
Typical only. Data & specifications may be subject to change. May not include accessory items for any particular order.			Project Reference:	