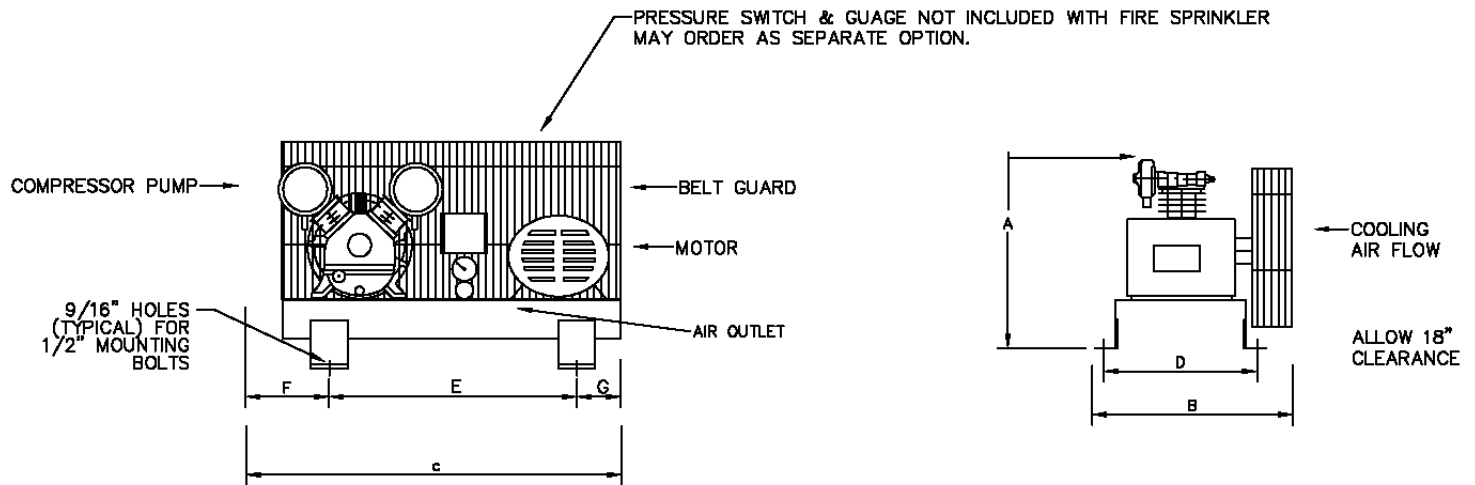


# OMEGA COMPRESSORS

For us, it's not just business. It's personal.

FS-01500



### PERFORMANCE DATA

MODEL	HP	DELIVERY		PRESSURE SETTINGS		RECEIVER		COMPRESSOR			
		SCFM	L/S	PSIG	KPA	Gal US.	LITERS	PUMP	RPM	CYL	STGS
FS-01500	1.5	7.7	4.25	30-50	207-345	N/A	N/A	PK-60	780	2	1

### DIMENSIONAL DATA (Inches)

MODEL	A	B	C	D	E	F	G
FS-01500	18	17.25	27	16	23	2	2

### WT. DISTRIBUTION (Lbs)

FT.1	FT.2	FT.3	FT.4	TOTAL
36	43	23	41	143

### ELECTRICAL DATA (60Hz)

APPROX. FULL LOAD AMPS						
HP.	Single Phase			Three Phase		
	110V.	220V.	200V.	230V.	460V.	575V.
1.5	18.0	9.0	4.8	4.4	2.2	2.0

BELT GUARD SIDE	
2	4
1	3

SYSTEM SIZE - 725 GALS. IN SYSTEM TO BE PUMPED TO 35PSI IN 30 MINUTES.

OMEGA AIR COMPRESSORS	FIRE SPRINKLER	1.5HP BASE MOUNTED SIMPLEX COMPRESSOR	Print No: Dwg: Chk'd	ESJL33S-1 Scale: Not to. Wt Dist: +-5lbs
Typical only. Data & specifications may be subject to change. May not include accessory items for any particular order.			Project Reference:	