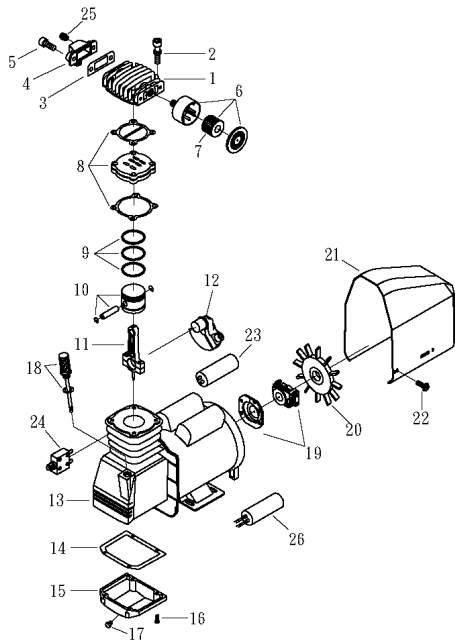


# OMEGA COMPRESSORS

For us, it's not just business. It's personal.

MODEL :DP3008 (Pump)

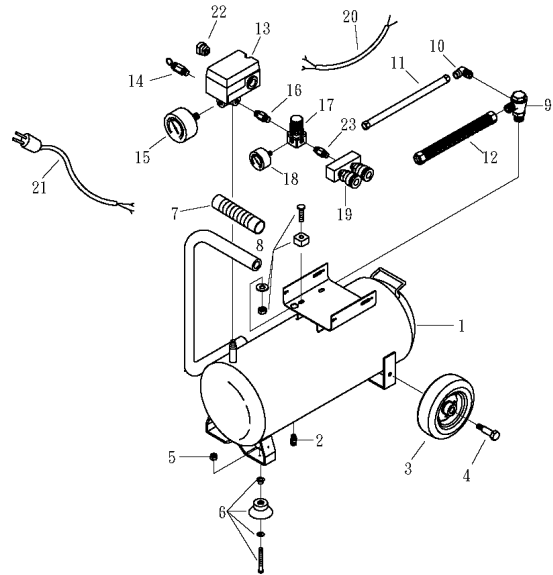


SPARE PARTS LIST

NO : QC-2011

REF. NO.	DESCRIPTION	PART NO.	QTY	REF. NO.	DESCRIPTION	PART NO.	QTY
1	Cylinder head	3101042	1	14	Crankcase base gasket	2G08-001	1
2	Allen bolt set	3801-M06*035V	4	15	Crankcase base	3349001	1
3	Exhaust elbow gasket	2G09-001H	1	16	Bolt	2B02-PM5*015	4
4	Exhaust elbow	2N06-04H1	1	17	Oil draining plug	2N33-001	1
5	Allen bolt	2R01-M08*020	2	18	Dipstick set	2339008A	1
6	Air filter	2140019A	1	19	Centrifugal switch set	2E24-14062P	1
7	Filter element	2142013	1	20	Cooling fan	2336037-2	1
8	Inlet&Exhaust valve assembly	3B13-K5047	1	21	Shroud	2428003	1
9	Piston ring set	3B32-42N	1	22	Bolt	2B00-PM05*010WB	6
10	Piston set	3B31-42N	1	23	Starting capacitor	2E28-300F1240	1
11	Rod	2315032	1	24	Thermal protector	2E25-18A	1
12	Crankshaft & balancer	3304076	1	25	Auto relief valve	2409003	1
13	Motor set	3B8-NA1502	1	26	Running capacitor	2E27-060F2540	1

MODEL :DP3008 (Receive Tank)



SPARE PARTS LIST

NO : QC-2011

REF. NO.	DESCRIPTION	PART NO.	QTY	REF. NO.	DESCRIPTION	PART NO.	QTY
1	Air tank	3401281QC	1	13	Pressure switch	2E21-B027DC	1
2	Drain valve	2405011	1	14	Pressure relief valve	2406018A	1
3	Tank wheel	2402042B	2	15	Pressure gauge	2D12-20D2001Q	1
4	Theel wheel bolt	2418005	2	16	Nipple	2N01-02N02N045	1
5	U-nut	2B21-PM05	2	17	Regulator	2408025L	1
6	Rubber pad set	3433011-A	2	18	Pressure gauge	2D12-15D2001Q	1
7	Grip	2432004	1	19	Quick coupler	07MQC2B-C	1
8	Motor feet bolt set	3B08-PM08*30-A	4	20	Cable	2E02-2030502Y2T	1
9	Check valve	2414025T	1	21	Power cable	2E01-012W	1
10	Unloading elbow	2N06-01T02H	1	22	Strain relief bushing	2E04-010	1
11	Unloading tube	3B2-02*550F	1	23	Nipple	2N01-001	1
12	Exhaust tube	3B2-04*440	1				