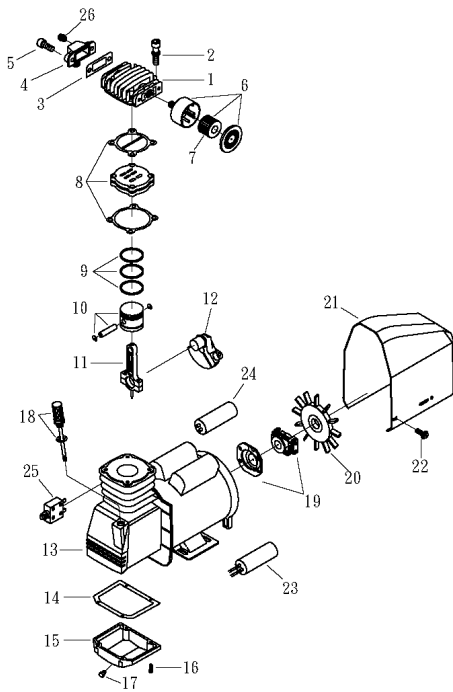


# OMEGA COMPRESSORS

For us, it's not just business. It's personal.

MODEL :DP-2022S (Pump)

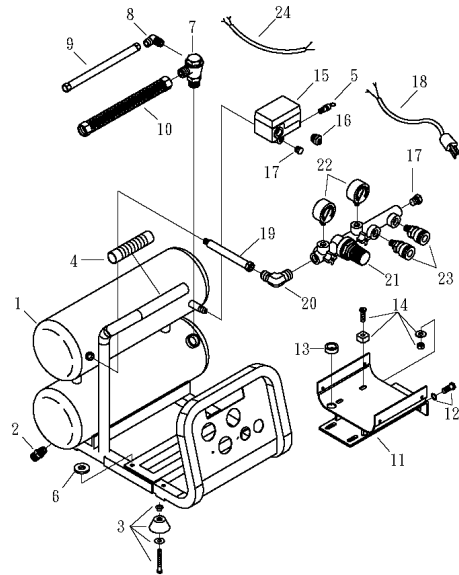


SPARE PARTS LIST

NO : QC-2011

REF. NO.	DESCRIPTION	PART NO.	QTY.	REF. NO.	DESCRIPTION	PART NO.	QTY.
1	Cylinder head	3101042	1	14	Crankcase base gasket	2G08-001	1
2	Allen bolt set	3801-M06*035V	4	15	Crankcase base	3349001	1
3	Exhaust elbow gasket	2G09-001H	1	16	Bolt	2B02-FM5*015	4
4	Exhaust elbow	2N06-04H11	1	17	Oil draining plug	2N33-001	1
5	Allen bolt	2B01-M08*020	2	18	Dipstick set	2339008A	1
6	Air filter	2140019A	1	19	Centrifugal switch set	2E24-14062P	1
7	Filter element	2142013	1	20	Cooling fan	2336037-2	1
8	Inlet/Exhaust valve assembly	3B13-K5047	1	21	Shroud	2428003	1
9	Piston ring set	3B32-42N	1	22	Bolt	2B00-FM05*010WB	6
10	Piston set	3B31-42N	1	23	Running capacitor	2E27-070F2540	1
11	Red	2315032	1	24	Starting capacitor	2E28-300F1240	1
12	Crankshaft & balancer	3304076	1	25	Thermal protector	2E25-18A	1
13	Motor set	388-NA1602	1	26	Auto relief valve	2409003	1

MODEL :DP-2022S (Receive Tank)



SPARE PARTS LIST

NO : QC-2011

REF. NO.	DESCRIPTION	PART NO.	QTY.	REF. NO.	DESCRIPTION	PART NO.	QTY.
1	Air tank	3401542A	1	13	Bushing	2E04-101	1
2	Drain valve	2405011	1	14	Motor feet set bolt	3B08-FM08*30-A	4
3	Rubber pad set	3433011-A	4	15	Pressure switch	2E21-B027BC	1
4	Grip	2432004	1	16	Strain relief bushing	2E04-010	2
5	Pressure relief valve	2406018A	1	17	Plug	2B14-ST02E	3
6	Body seat block	2439008	6	18	Power cable	2E01-012	1
7	Check valve	2414025T	1	19	Soft tube	2T06-026	1
8	Unloading elbow	2N06-01T02H	1	20	Exhaust elbow	2N06-02T02F	1
9	Unloading tube	3B2-02*240F	1	21	Regulator with manifold	2408027	1
10	Exhaust soft tube	2T02-04*0440	1	22	Pressure gauge	2D12-15V200IQ	2
11	Tank seating	3401203A	1	23	Quick coupler(female)	07MS01/4M-B	2
12	Hexagon bolt set	3800-FM08*020V	4	24	Cable	2E02-2030602Y2T	1