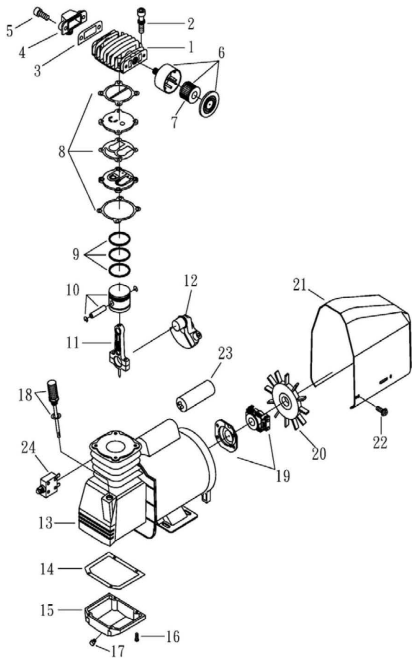


# OMEGA COMPRESSORS

For us, it's not just business. It's personal.

MODEL:DD-2004V(Pump)

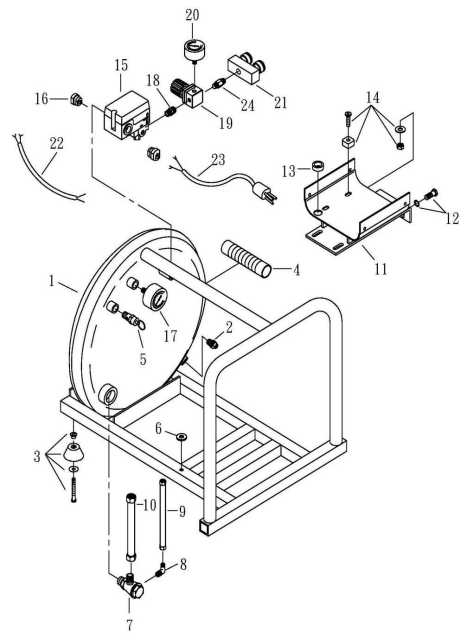


## SPARE PARTS LIST

NO: QC-2108

REF. NO.	DESCRIPTION	PART NO.	QTY.	REF. NO.	DESCRIPTION	PART NO.	QTY.
1	Cylinder head	3101042	1	13	Motor set	3B8-NA1002	1
2	Allen bolt set	3B01-M06*040V	4	14	Crankcase base gasket	2G08-001	1
3	Exhaust elbow gasket	2G09-001H	1	15	Crankcase base	3349001	1
4	Exhaust elbow	2N06-04H1	1	16	Bolt	2B02-FM5*015	4
5	Allen bolt	2B01-M08*020	2	17	Oil draining plug	2N33-001	1
6	Air filter	2140019A	1	18	Dipstick set	2339008A	1
7	Filter element	2142013	1	19	Centrifugal switch set	2E24-14064P	1
8	Inlet&Exhaust valve	3B13-AC0747	1	20	Cooling fan	2336037-2	1
9	Piston ring set	3B32-47N	1	21	Shroud	2428003	1
10	Piston set	3B31-47	1	22	Bolt	2B00-FM05*010WB	6
11	Rod	2315033	1	23	Starting capacitor	2E28-300F1240	1
12	Crankshaft & balancer	3304076	1	24	Thermal protector	2E25-15A	1

MODEL: DD-2004V(Receiver Tank)



## SPARE PARTS LIST

NO: QC-2108

REF. NO.	DESCRIPTION	PART NO.	QTY.	REF. NO.	DESCRIPTION	PART NO.	QTY.
1	Air tank	3401023	1	13	Bushing	2E04-101	1
2	Drain valve	2405011	1	14	Motor feet set bolt	3B08-FM08*30-A	4
3	Rubber pad set	3433011-A	4	15	Pressure switch	2E21-B027BC	1
4	Grip	2432102	1	16	Strain relief bushing	2E04-010	2
5	Pressure relief valve	2406018A	1	17	Pressure gauge	2D12-20D200IQ	1
6	Body seat block	2439008	6	18	Nipple	2N01-058	1
7	Check valve	2414025	1	19	Regulator	2408025L	1
8	Unloading elbow	2N06-01T02H	1	20	Pressure gauge	2D12-15D200IQ	1
9	Unloading tube	3B2-02*220F	1	21	Quick coupler	07MQC2B-C	1
10	Exhaust soft tube	2T02-04*0250	1	22	Cable	2E02-2030602Y2T	1
11	Tank seating	3401024	1	23	Power cable	2E01-012	1
12	Hexagon bolt set	3B00-FM08*020V	4	24	Nipple	2N01-001	1