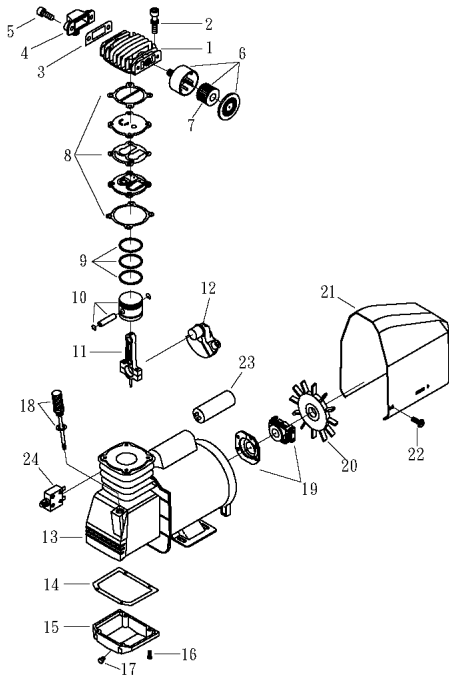


# OMEGA COMPRESSORS

For us, it's not just business. It's personal.

MODEL :DD-1503 (Pump)

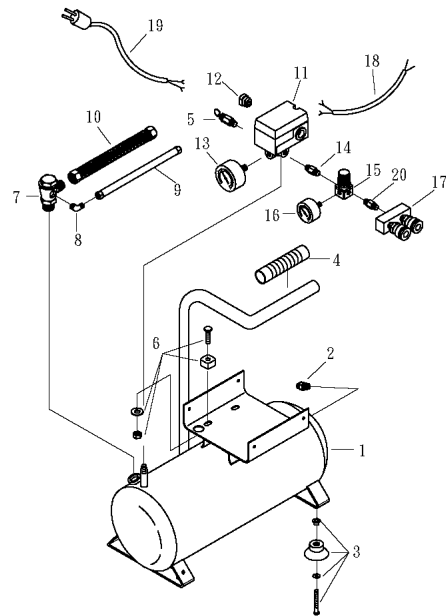


SPARE PARTS LIST

NO : QC-2011

REF. NO.	DESCRIPTION	PART NO.	QTY.	REF. NO.	DESCRIPTION	PART NO.	QTY.
1	Cylinder head	3101042	1	13	Motor set	3B8-NA1002	1
2	Allen bolt set	3B01-M06*040V	4	14	Crankcase base gasket	2C08-001	1
3	Exhaust elbow gasket	2G09-001H	1	15	Crankcase base	3349001	1
4	Exhaust elbow	2N06-04H1	1	16	Bolt	2B02-FM5*015	4
5	Allen bolt	2B01-M08*020	2	17	Oil draining plug	2N33-001	1
6	Air filter	2140019A	1	18	Dipstick set	2339008A	1
7	Filter element	2142013	1	19	Centrifugal switch set	2E24-14064P	1
8	Inlet&Exhaust valve assembly	3B13-AC0747	1	20	Cooling fan	2336037-2	1
9	Piston ring set	3B32-47N	1	21	Shroud	2428003	1
10	Piston set	3B31-47	1	22	Bolt	2B00-FM05*010WB	6
11	Rod	2315033	1	23	Starting capacitor	2E28-300P1240	1
12	Crankshaft & balancer	3304076	1	24	Thermal protector	2E25-15A	1

MODEL :DD-1503 (Receive Tank)



SPARE PARTS LIST

NO : QC-2011

REF. NO.	DESCRIPTION	PART NO.	QTY.	REF. NO.	DESCRIPTION	PART NO.	QTY.
1	Air tank	3401092	1	11	Pressure switch	2E21-B027BC	1
2	Drain valve	2405011	1	12	Strain relief bushing	2E04-010	2
3	Rubber pad set	3433005-A	4	13	Pressure gauge	2D12-20D2001Q	1
4	Grip	2432004	1	14	Nipple	2N01-058	1
5	Pressure relief valve	2406018A	1	15	Regulator	2408025L	1
6	Motor feet set bolt	3B08-FM08*30-A	4	16	Pressure gauge	2D12-15D2001Q	1
7	Check valve	2414025T	1	17	Quick coupler	07MQC2B-C	1
8	Unloading elbow	2N06-01T02H	1	18	Cable	2E02-2030422Y2T	1
9	Unloading tube	3B2-02*220P	1	19	Power cable	2E01-012	1
10	Exhaust tube	3B2-04*300	1	20	Nipple	2N01-001	1