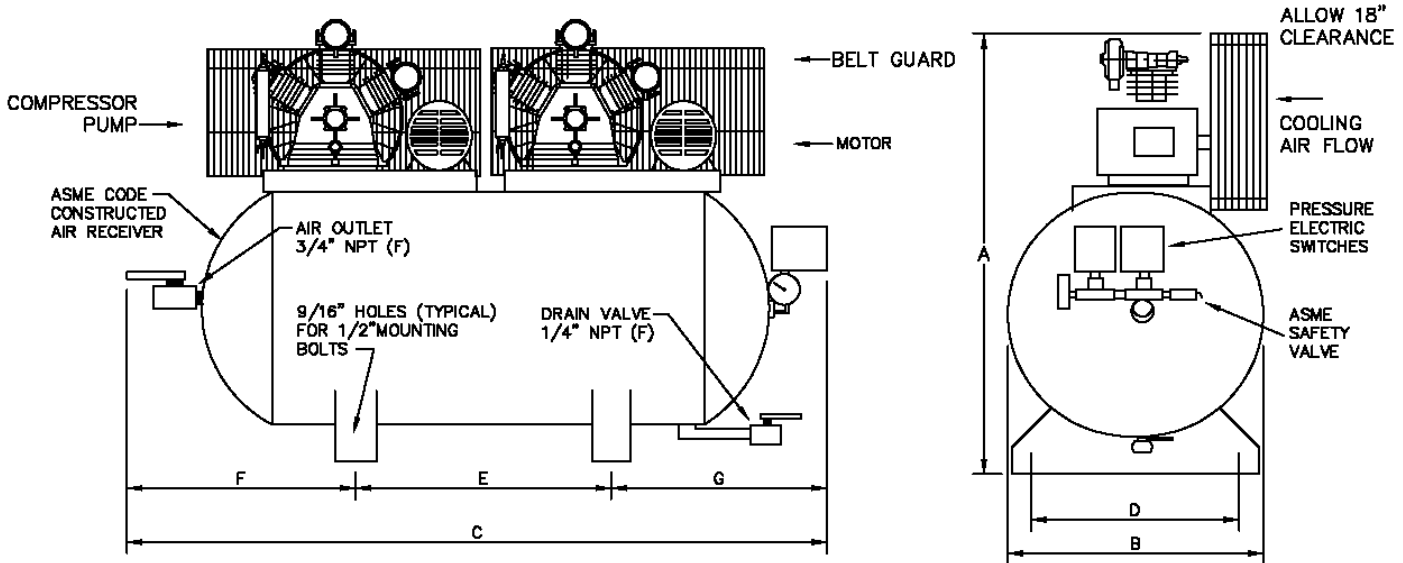


OMEGA COMPRESSORS

For us, it's not just business. It's personal.

CC-DX-75240



PERFORMANCE DATA

MODEL	HP	DELIVERY		PRESSURE SETTINGS		RECEIVER		COMPRESSOR			
		SCFM	L/S	PSIG	KPA	Gal US.	LITERS	PUMP	RPM	CYL	STGS
CC-DX-75240	7.5	28.5	13.45	70-90	483-621	240	908	TK-100	630	3	2

DIMENSIONAL DATA (inches)

MODEL	A	B	C	D	E	F	G
CC-DX-75240	61	30	102	27.5	54	24	24

WT. DISTRIBUTION (Lbs)

FT.1	FT.2	FT.3	FT.4	TOTAL
410	493	264	473	1640

ELECTRICAL DATA (60Hz)

HP.	APPROX. FULL LOAD AMPS					
	Single Phase		Three Phase			
	110V.	220V.	200V.	230V.	460V.	575V.
7.5	N/A	36.0	21.2	19.6	9.8	7.8

BELT GUARD SIDE	
2	4
1	3

OMEGA AIR COMPRESSORS	HVAC SERIES	7.5 HP TANK MOUNTED DUPLEX COMPRESSOR	Print No: Dwg: Chk'd	ESJL33S-1 Scale: Not to Wt Dist: +-5lbs
-----------------------	-------------	---------------------------------------	----------------------------	---

Typical only. Data & specifications may be subject to change. May not include accessory items for any particular order.

Project Reference: