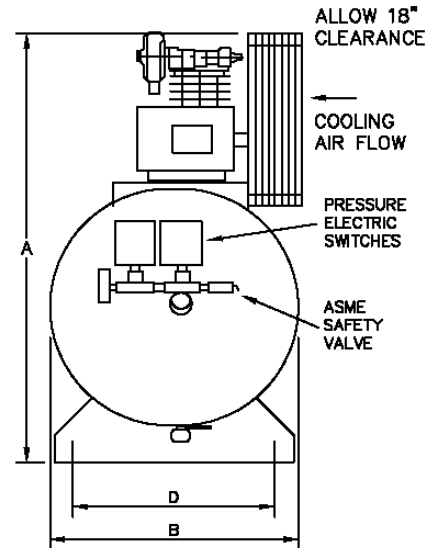
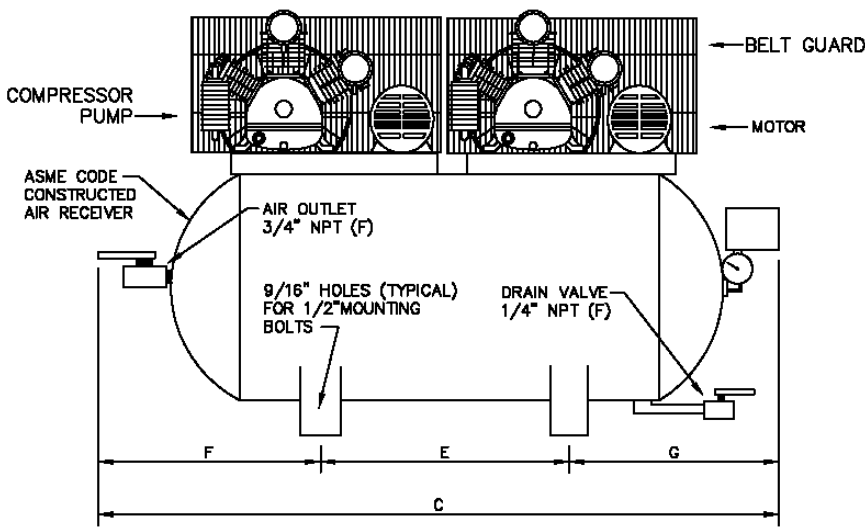


OMEGA COMPRESSORS

For us, it's not just business. It's personal.

CC-DX-75120



PERFORMANCE DATA

MODEL	HP	DELIVERY		PRESSURE SETTINGS		RECEIVER		COMPRESSOR			
		SCFM	L/S	PSIG	KPA	Gal US.	LITERS	PUMP	RPM	CYL	STGS
CC-DX-75120	7.5	28.5	13.45	70-90	483-620	120	453	TK-100	630	3	2

DIMENSIONAL DATA (inches)

MODEL	A	B	C	D	E	F	G
CC-DX-75120	53.5	26.5	88	23.75	42	23	23

WT. DISTRIBUTION (Lbs)

FT.1	FT.2	FT.3	FT.4	TOTAL
278	424	226	397	1325

ELECTRICAL DATA (60Hz)

HP.	APPROX. FULL LOAD AMPS					
	Single Phase		Three Phase			
	110V.	220V.	200V.	230V.	460V.	575V.
7.5	N/A	36.0	21.2	19.6	9.8	7.8

BELT GUARD SIDE	
2	4
1	3

OMEGA AIR COMPRESSORS	HVAC SERIES	7.5HP TANK MOUNTED DUPLEX COMPRESSOR	Print No: Dwg: Chk'd	ESJL33S-1 Scale: Not to. Wt Dist: +-5lbs
Typical only. Data & specifications may be subject to change. May not include accessory items for any particular order.			Project Reference:	