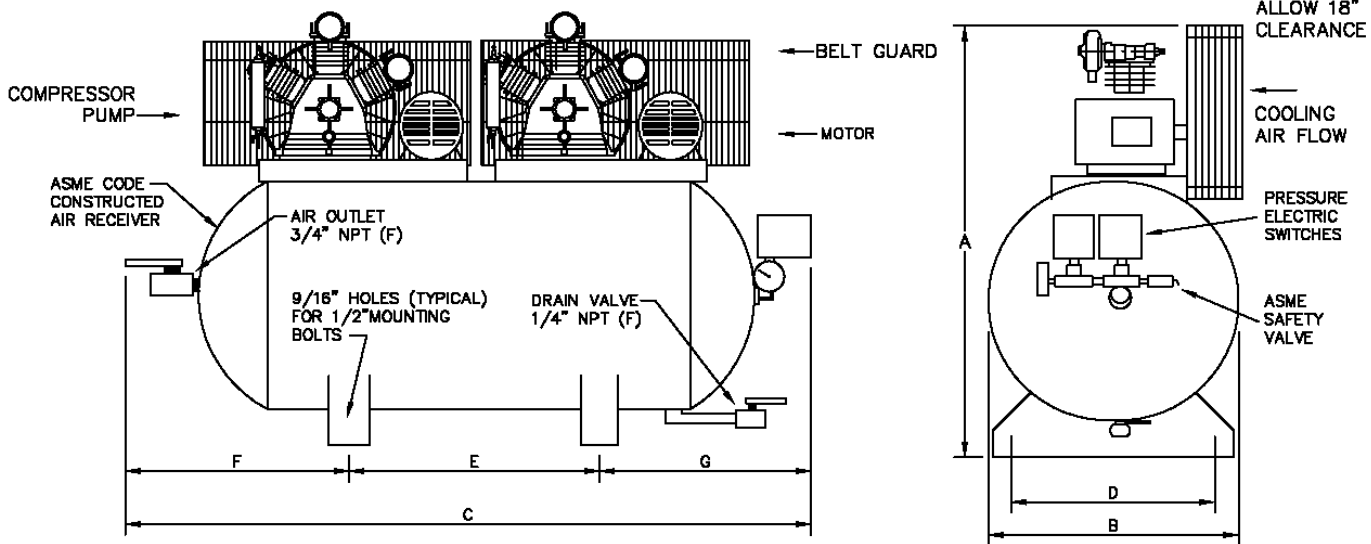


OMEGA COMPRESSORS

For us, it's not just business. It's personal.

CC-DX-100240



PERFORMANCE DATA

MODEL	HP	DELIVERY		PRESSURE SETTINGS		RECEIVER		COMPRESSOR			
		SCFM	L/S	PSIG	KPA	Gal	US. LITERS	PUMP	RPM	CYL	STGS
CC-DX-100240	10	36.1	17.04	70-90	483-621	240	908	TK-100	845	3	2

DIMENSIONAL DATA (inches)

MODEL	A	B	C	D	E	F	G
CC-DX-100240	61	30	102	27.5	54	24	24

WT. DISTRIBUTION (lbs)

FT.1	FT.2	FT.3	FT.4	TOTAL
444	534	285	515	1778

ELECTRICAL DATA (60Hz)

HP,	APPROX. FULL LOAD AMPS					
	Single Phase		Three Phase			
	110V.	220V.	200V.	230V.	460V.	575V.
10	N/A	N/A	27.0	25.0	12.5	10.0

BELT GUARD SIDE	
2	4
1	3

OMEGA AIR COMPRESSORS	HVAC SERIES	10 HP TANK MOUNTED DUPLEX COMPRESSOR	Print No: Dwg: Chk'd	ESJL33S-1 Scale: Not to Wt Dist: +-5lbs
Typical only. Data & specifications may be subject to change. May not include accessory items for any particular order.			Project Reference:	