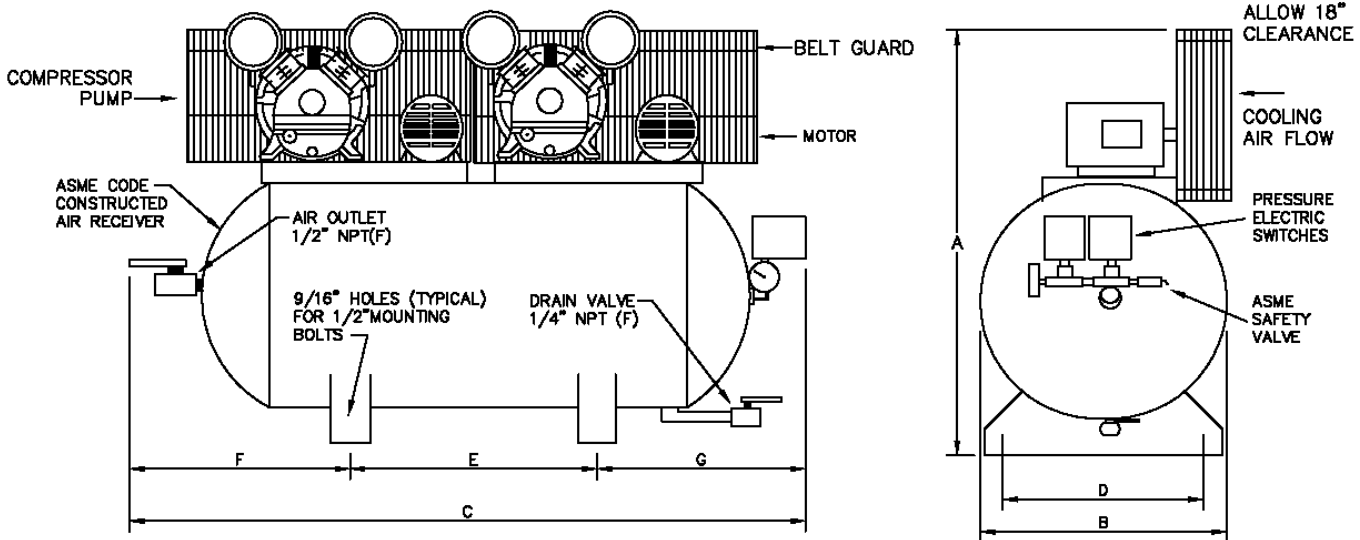


OMEGA COMPRESSORS

For us, it's not just business. It's personal.

CC-DX-0530



PERFORMANCE DATA

MODEL	HP	DELIVERY		PRESSURE SETTINGS		RECEIVER		COMPRESSOR			
		SCFM	L/S	PSIG	KPA	Gal	US. LITERS	PUMP	RPM	CYL	STGS
CC-DX-0530	.5	2.4	1.13	70-90	480-620	30	113	PK-50	509	V-2	1

DIMENSIONAL DATA (inches)

MODEL	A	B	C	D	E	F	G
CC-DX-0530	34	20	52	15	18	17	17

WT. DISTRIBUTION (Lbs)

FT.1	FT.2	FT.3	FT.4	TOTAL
70	107	74	98	349

ELECTRICAL DATA (60Hz)

HP.	APPROX. FULL LOAD AMPS					
	Single Phase		Three Phase			
	110V.	220V.	200V.	230V.	460V.	575V.
.50	8.0	4.0	2.2	2.0	1.0	.80

BELT GUARD SIDE	
2	4
1	3

OMEGA AIR COMPRESSORS	HVAC SERIES	1/2 HP TANK MOUNTED DUPLEX COMPRESSOR	Print No: Dwg: Chk'd	ESJL33S-1 Scale: Not to. Wt Dist: +-5lbs
Typical only. Data & specifications may be subject to change. May not include accessory items for any particular order.			Project Reference:	