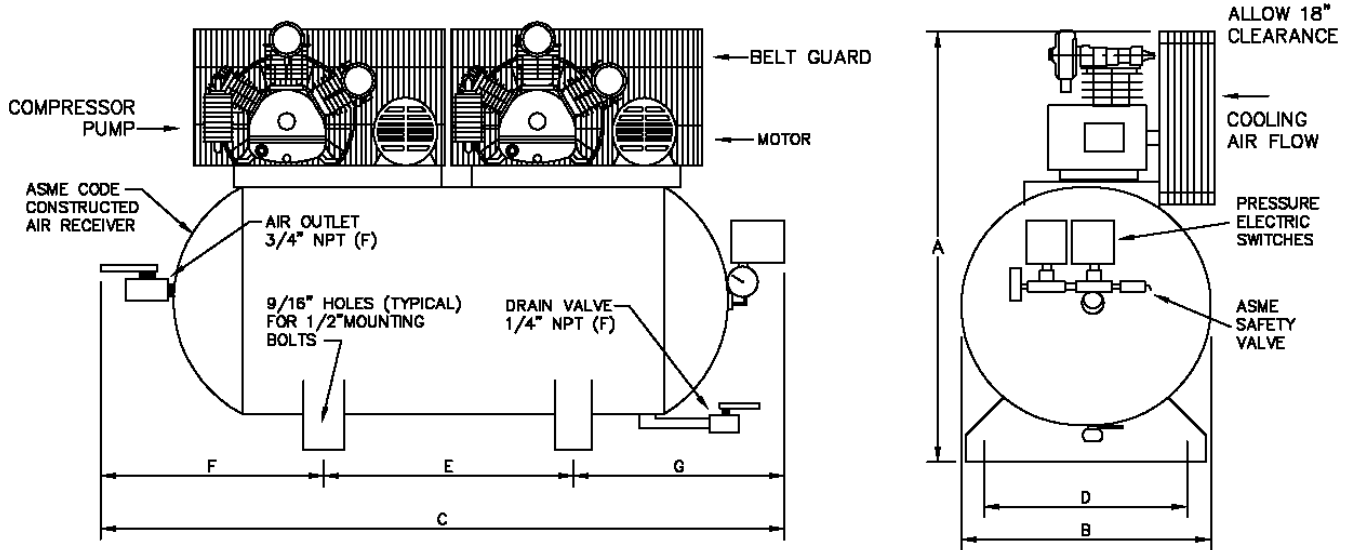


OMEGA COMPRESSORS

For us, it's not just business. It's personal.

CC-DX-0280



PERFORMANCE DATA

MODEL	HP	DELIVERY		PRESSURE SETTINGS		RECEIVER		COMPRESSOR			
		SCFM	L/S	PSIG	KPA	Gal	US. LITERS	PUMP	RPM	CYL	STGS
CC-DX-0280	2	9.2	4.34	70 - 90	483 - 620	80	302	CK-40	544	3	1

DIMENSIONAL DATA (inches)

MODEL	A	B	C	D	E	F	G
CC-DX-0280	44	22	78	18.75	36	21	21

WT. DISTRIBUTION (lbs)

FT.1	FT.2	FT.3	FT.4	TOTAL
111	170	104	169	554

ELECTRICAL DATA (60Hz)

HP.	APPROX. FULL LOAD AMPS					
	Single Phase		Three Phase			
	110V.	220V.	200V.	230V.	460V.	575V.
2	25.6	12.8	6.6	6.0	3.0	2.4

BELT GUARD SIDE	
2	4
1	3

OMEGA AIR COMPRESSORS	HVAC SERIES	2HP TANK MOUNTED DUPLEX COMPRESSOR	Print No: Dwg: Chk'd	ESJL33S-1 Scale: Not to. Wt Dist: +-5lbs
--------------------------	----------------	---------------------------------------	----------------------------	--

Typical only. Data & specifications may be subject to change.
May not include accessory items for any particular order.

Project Reference: