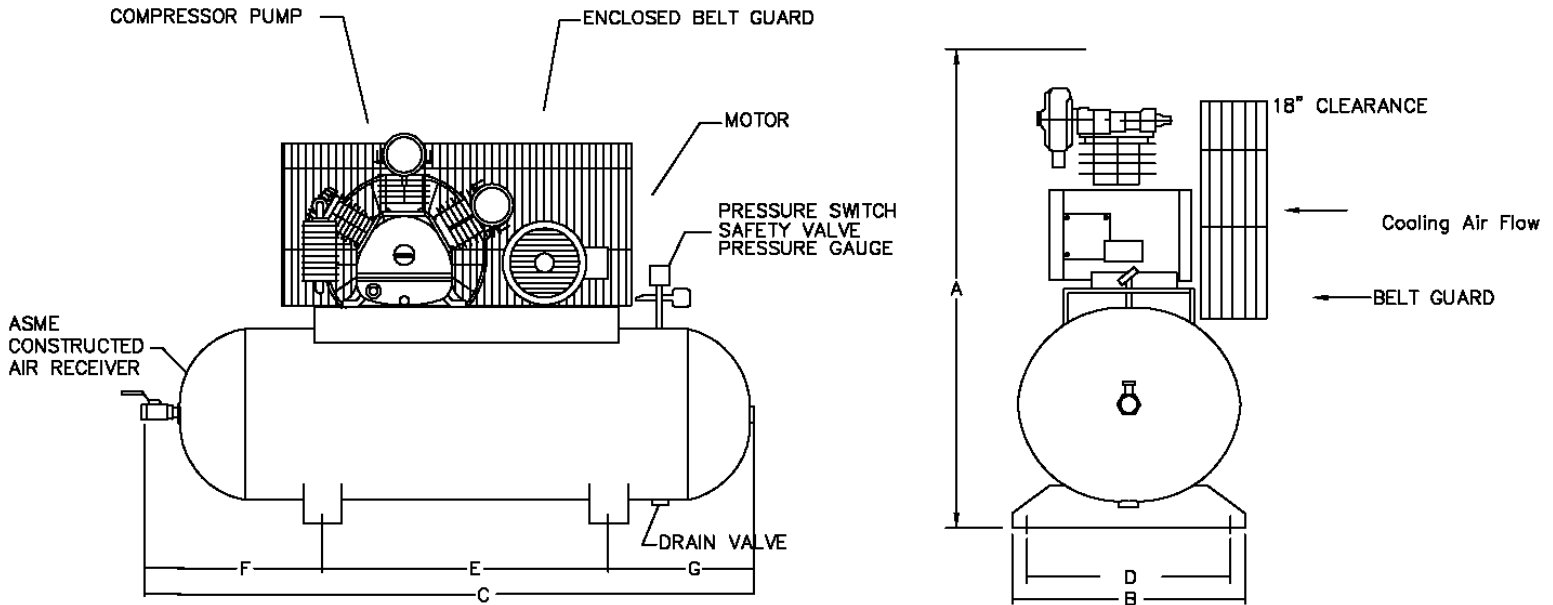


OMEGA COMPRESSORS

For us, it's not just business. It's personal.

CC-5060



PERFORMANCE DATA

MODEL	HP	DELIVERY		PRESSURE SETTINGS		RECEIVER		COMPRESSOR			
		SCFM	L/S	PSIG	KPA	Gal	US. LITERS	PUMP	RPM	CYL	STGS
CC-5080	5	20.0	9.44	70 - 90	483 - 621	80	302	TK-100	571	V-3	2

DIMENSIONAL DATA (inches)

MODEL	A	B	C	D	E	F	G
CC-5080	50	22	71	18.75	36	21	14

WT. DISTRIBUTION (lbs)

FT.1	FT.2	FT.3	FT.4	TOTAL
167	202	110	193	672

ELECTRICAL DATA (60Hz)

HP.	APPROX. FULL LOAD AMPS					
	Single Phase		Three Phase			
	110V.	220V.	200V.	230V.	460V.	575V.
5	N/A	21.0	15.0	13.8	6.9	5.5

BELT GUARD SIDE	
2	4
1	3

OMEGA AIR COMPRESSORS	HVAC SERIES	5 HP TANK MOUNTED SIMPLEX COMPRESSOR	Print No: Dwg: Chk'd	ESJL33S-1 Scale: Not to. Wt Dist: +-5lbs
------------------------------	--------------------	---	----------------------------	---

Typical only. Data & specifications may be subject to change.
May not include accessory items for any particular order.

Project Reference: