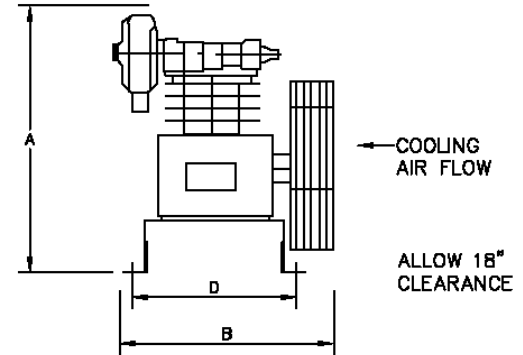
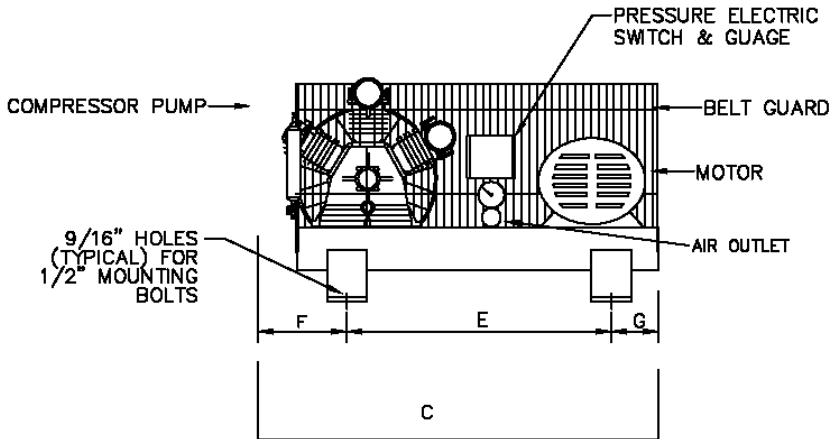


# OMEGA COMPRESSORS

For us, it's not just business. It's personal.

CC-300000



### PERFORMANCE DATA

MODEL	HP	DELIVERY		PRESSURE SETTINGS		RECEIVER		COMPRESSOR			
		SCFM	L/S	PSIG	KPA	Gal	US. LITERS	PUMP	RPM	CYL	STGS
CC-300000	30	117.5	55.46	70 - 90	483 - 621	N/A	N/A	TK-300	850	4	2

### DIMENSIONAL DATA (inches)

MODEL	A	B	C	D	E	F	G
CC-300000	38	36	64	18	32	18	14

### WT. DISTRIBUTION (Lbs)

FT.1	FT.2	FT.3	FT.4	TOTAL
335	398	214	379	1326

### ELECTRICAL DATA (60Hz)

HP.	APPROX. FULL LOAD AMPS					
	Single Phase		Three Phase			
	110V.	220V.	200V.	230V.	460V.	575V.
30	N/A	N/A	77.8	72.0	36.0	28.6

BELT GUARD SIDE	
2	4
1	3

OMEGA AIR COMPRESSORS	INDUSTRIAL SERIES	30HP BASE MOUNTED HVAC SERIES	Print No: Dwg: Chk'd	ESIL33S-1 Scale: Not to. Wt Dist: +-5lbs
--------------------------	----------------------	----------------------------------	----------------------------	--

Typical only. Data & specifications may be subject to change.  
May not include accessory items for any particular order.

Project Reference: