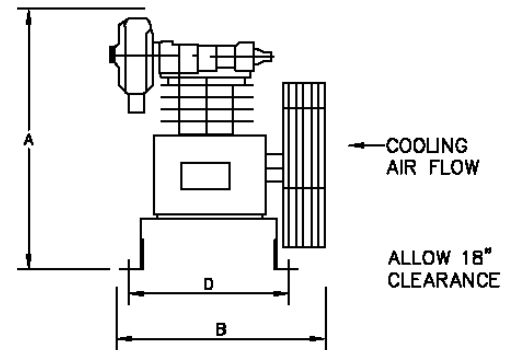
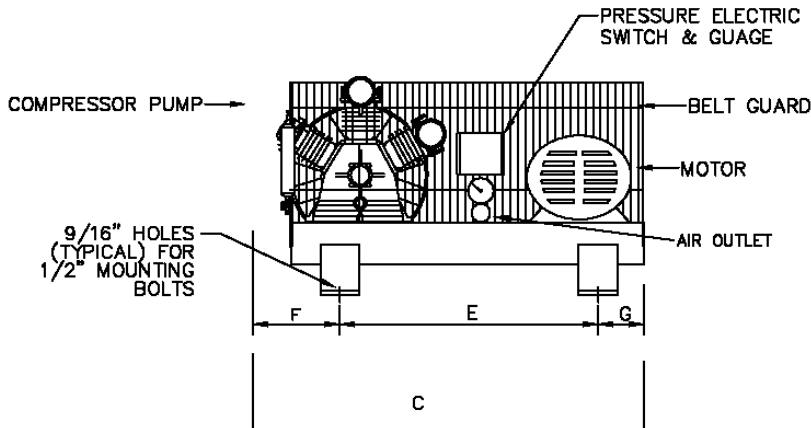


# OMEGA COMPRESSORS

For us, it's not just business. It's personal.

CC-200000



### PERFORMANCE DATA

| MODEL     | HP | DELIVERY |       | PRESSURE SETTINGS |           | RECEIVER |            | COMPRESSOR |     |     |      |
|-----------|----|----------|-------|-------------------|-----------|----------|------------|------------|-----|-----|------|
|           |    | SCFM     | L/S   | PSIG              | KPA       | Gal      | US. LITERS | PUMP       | RPM | CYL | STGS |
| CC-200000 | 20 | 91.0     | 42.95 | 70 - 90           | 483 - 621 | N/A      | N/A        | TK-300     | 595 | 4   | 2    |

### DIMENSIONAL DATA (inches)

| MODEL     | A  | B  | C  | D  | E  | F  | G  |
|-----------|----|----|----|----|----|----|----|
| CC-200000 | 38 | 36 | 64 | 18 | 32 | 18 | 14 |

### WT. DISTRIBUTION (lbs)

| FT.1 | FT.2 | FT.3 | FT.4 | TOTAL |
|------|------|------|------|-------|
| 302  | 358  | 191  | 343  | 1194  |

### ELECTRICAL DATA (60Hz)

| HP. | APPROX. FULL LOAD AMPS |       |             |       |       |       |
|-----|------------------------|-------|-------------|-------|-------|-------|
|     | Single Phase           |       | Three Phase |       |       |       |
|     | 110V.                  | 220V. | 200V.       | 230V. | 460V. | 575V. |
| 20  | N/A                    | N/A   | 51.8        | 48.0  | 24.0  | 19.2  |

| BELT GUARD SIDE |   |
|-----------------|---|
| 2               | 4 |
| 1               | 3 |

|  |                              |  |                            |   |
|--|------------------------------|--|----------------------------|---|
| <b>OMEGA AIR<br/>COMPRESSORS</b>   | <b>INDUSTRIAL<br/>SERIES</b> | <b>20HP BASE MOUNTED<br/>HVAC SERIES</b> | Print No:<br>Dwg:<br>Chk'd | <b>ESJL33S-1</b><br>Scale: Not to.<br>Wt Dist: +-5lbs |
| Typical only. Data & specifications may be subject to change.<br>May not include accessory items for any particular order. |                              |  | Project Reference:         |   |