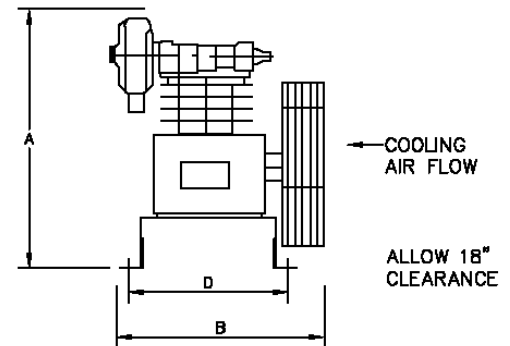
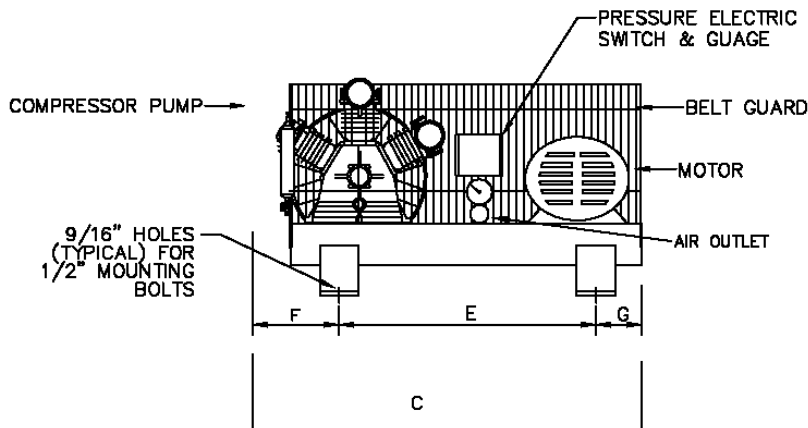


OMEGA COMPRESSORS

For us, it's not just business. It's personal.

CC-150000



PERFORMANCE DATA

MODEL	HP	DELIVERY		PRESSURE SETTINGS		RECEIVER		COMPRESSOR			
		SCFM	L/S	PSIG	KPA	Gal	US. LITERS	PUMP	RPM	CYL	STGS
CC-150000	15	53.1	25.06	70-90	483-621	N/A	N/A	TK-150	730	3	2

DIMENSIONAL DATA (inches)

MODEL	A	B	C	D	E	F	G
CC-150000	37	25	62	17.25	35.5	14.25	12.25

WT. DISTRIBUTION (Lbs)

FT.1	FT.2	FT.3	FT.4	TOTAL
232	278	148	261	919

ELECTRICAL DATA (60Hz)

HP.	APPROX. FULL LOAD AMPS					
	Single Phase		Three Phase			
	110V.	220V.	200V.	230V.	460V.	575V.
15	N/A	N/A	40.6	37.6	18.8	15.0

BELT GUARD SIDE	
2	4
1	3

OMEGA AIR COMPRESSORS	HVAC SERIES	15HP BASE MOUNTED SIMPLEX COMPRESSOR	Print No: Dwg: Chk'd	ESJL33S-1 Scale: Not to. Wt Dist: +-5lbs
-----------------------	-------------	--------------------------------------	----------------------------	--

Typical only. Data & specifications may be subject to change. May not include accessory items for any particular order.

Project Reference: