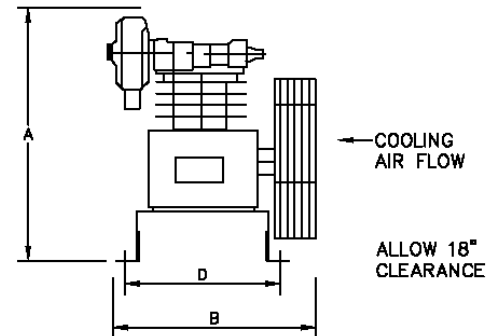
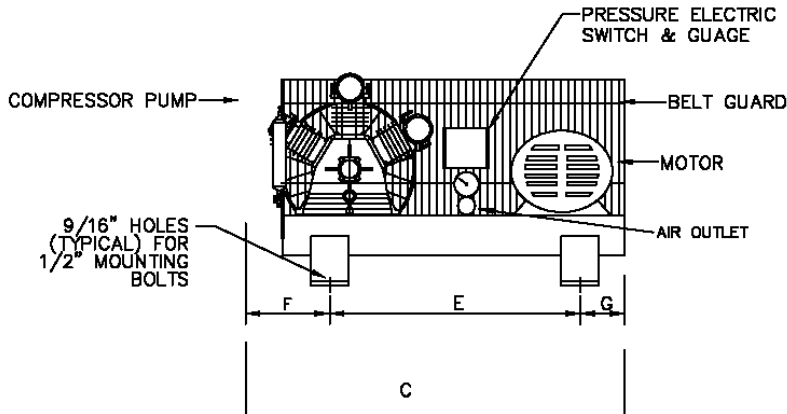


# OMEGA COMPRESSORS

For us, it's not just business. It's personal.

CC-100000



### PERFORMANCE DATA

MODEL	HP	DELIVERY		PRESSURE SETTINGS		RECEIVER		COMPRESSOR			
		SCFM	L/S	PSIG	KPA	Gal	US. LITERS	PUMP	RPM	CYL	STGS
CC-100000	10	36.1	17.04	70-90	483-621	N/A	N/A	TK-100	845	3	2

### DIMENSIONAL DATA (inches)

MODEL	A	B	C	D	E	F	G
CC-100000	31	24	41	15	28	9	4

### WT. DISTRIBUTION (lbs)

FT.1	FT.2	FT.3	FT.4	TOTAL
153	183	98	176	610

### ELECTRICAL DATA (60Hz)

HP.	APPROX. FULL LOAD AMPS					
	Single Phase		Three Phase			
	110V.	220V.	200V.	230V.	460V.	575V.
10	N/A	N/A	27.0	25.0	12.5	10.0

BELT GUARD SIDE	
2	4
1	3

OMEGA AIR COMPRESSORS	HVAC SERIES	10HP BASE MOUNTED SIMPLEX COMPRESSOR	Print No: Dwg: Chk'd	ESJL3SS-1 Scale: Not to. Wt Dist: +-5lbs
--------------------------	----------------	---	----------------------------	--

Typical only. Data & specifications may be subject to change.  
May not include accessory items for any particular order.

Project Reference: