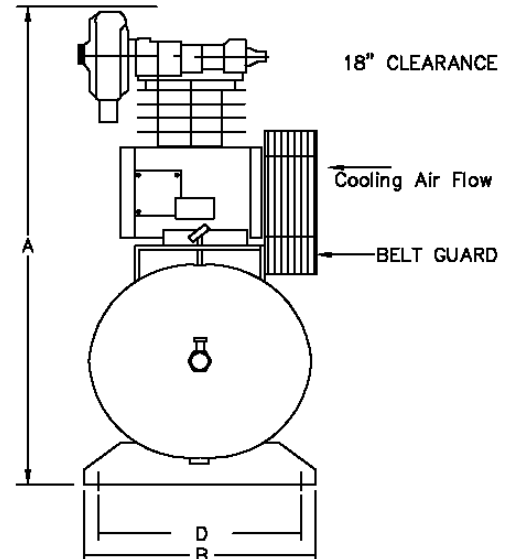
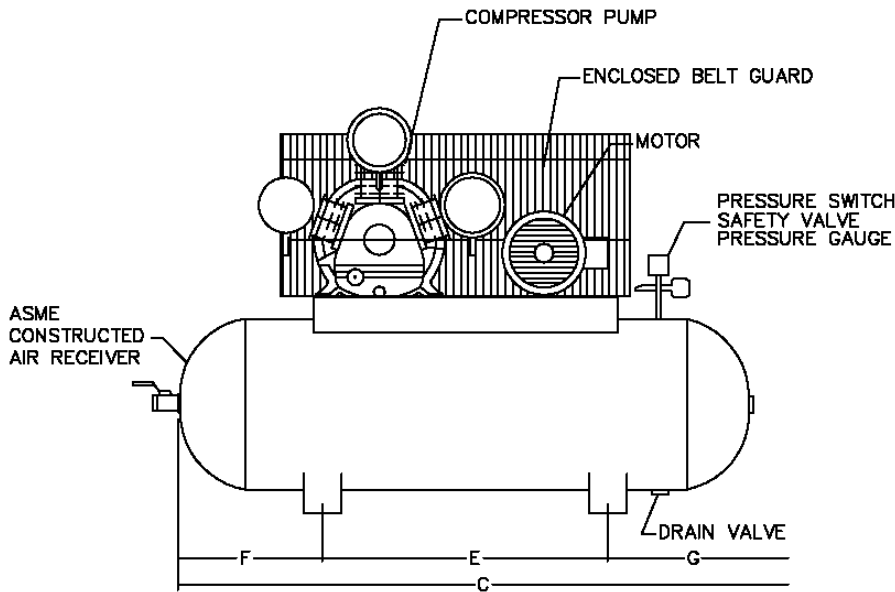


OMEGA COMPRESSORS

For us, it's not just business. It's personal.

CC-0260



PERFORMANCE DATA

MODEL	HP	DELIVERY		PRESSURE SETTINGS		RECEIVER		COMPRESSOR			
		SCFM	L/S	PSIG	KPA	Gal	US. LITERS	PUMP	RPM	CYL	STGS
CC-0260	2	9.2	4.34	70-90	483-620	60	227	CK-40	544	3	1

DIMENSIONAL DATA (inches)

MODEL	A	B	C	D	E	F	G
CC-0260	43	22	56	18.75	24	19	13

WT. DISTRIBUTION (lbs)

FT.1	FT.2	FT.3	FT.4	TOTAL
76	95	75	93	339

ELECTRICAL DATA (60Hz)

APPROX. FULL LOAD AMPS						
HP.	Single Phase			Three Phase		
	110V.	220V.	200V.	230V.	460V.	575V.
2	25.6	12.8	6.4	6.0	3.0	2.4

BELT GUARD SIDE	
2	4
1	3

OMEGA AIR COMPRESSORS	HVAC SERIES	2 HP TANK MOUNTED SIMPLEX COMPRESSOR	Print No: Dwg: Chk'd	ESJL33S-1 Scale: Not to. Wt Dist: +-5lbs
--------------------------	----------------	---	----------------------------	--

Typical only. Data & specifications may be subject to change.
May not include accessory items for any particular order.

Project Reference: