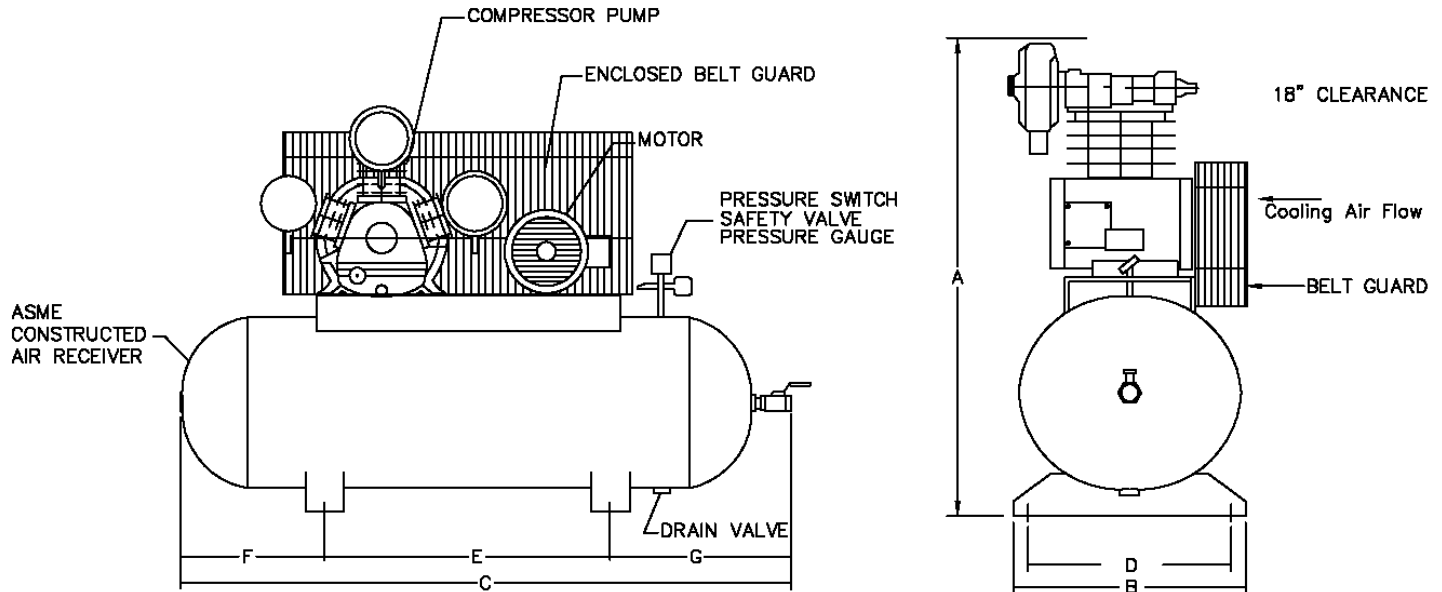


# OMEGA COMPRESSORS

For us, it's not just business. It's personal.

CC-0220



### PERFORMANCE DATA

MODEL	HP	DELIVERY		PRESSURE SETTINGS		RECEIVER		COMPRESSOR			
		SCFM	L/S	PSIG	KPA	Gal	US. LITERS	PUMP	RPM	CYL	STGS
CC-0220	2	9.2	4.34	70-90	483-620	20	75.6	CK-40	544	3	1

### DIMENSIONAL DATA (inches)

MODEL	A	B	C	D	E	F	G
CC-0220	35	16	44	14	18	13.5	12.5

### WT. DISTRIBUTION (Lbs)

FT.1	FT.2	FT.3	FT.4	TOTAL
58	73	58	72	261

### ELECTRICAL DATA (60Hz)

HP.	APPROX. FULL LOAD AMPS					
	Single Phase		Three Phase			
	110V.	220V.	200V.	230V.	460V.	575V.
2	25.6	12.8	6.4	6.0	3.0	2.4

BELT GUARD SIDE	
2	4
1	3

OMEGA AIR COMPRESSORS	HVAC SERIES	2 HP TANK MOUNTED SIMPLEX COMPRESSOR	Print No: Dwg: Chk'd	ESJL33S-1 Scale: Not to. Wt Dist: +-5lbs
-----------------------	-------------	--------------------------------------	----------------------------	--

Typical only. Data & specifications may be subject to change.  
May not include accessory items for any particular order.

Project Reference: