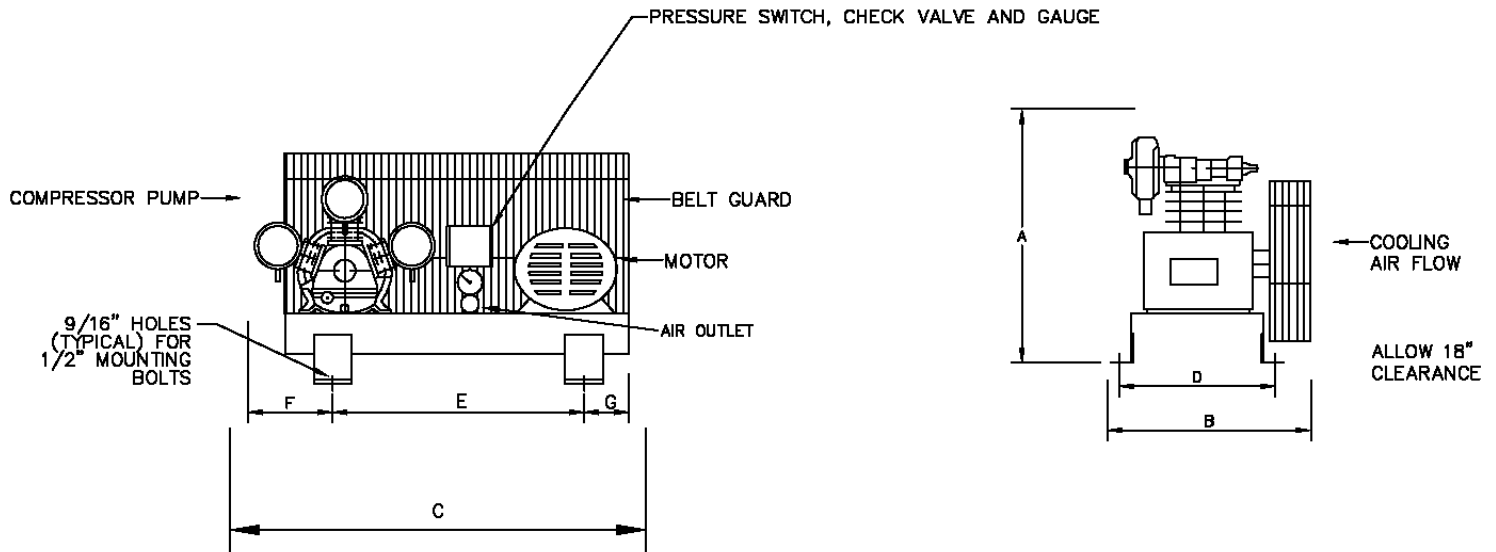


OMEGA COMPRESSORS

For us, it's not just business. It's personal.

CC-01500



PERFORMANCE DATA

MODEL	HP	DELIVERY		PRESSURE SETTINGS		RECEIVER		COMPRESSOR			
		SCFM	L/S	PSIG	KPA	Gal	US. LITERS	PUMP	RPM	CYL	STGS
CC-01500	1.5	6.7	3.16	70 - 90	483 - 621	N/A	N/A	CK-40	420	3	1

DIMENSIONAL DATA (inches)

MODEL	A	B	C	D	E	F	G
CC-01500	19	17.25	27	16	23	3	2

WT. DISTRIBUTION (Lbs)

FT.1	FT.2	FT.3	FT.4	TOTAL
47	56	30	40.5	187

ELECTRICAL DATA (60Hz)

APPROX. FULL LOAD AMPS						
HP.	Single Phase		Three Phase			
	110V.	220V.	200V.	230V.	460V.	575V.
1.5	18.0	9.0	4.8	4.4	2.2	2.0

BELT GUARD SIDE	
2	4
1	3

OMEGA AIR COMPRESSORS	CLIMATE CONTROL	1.5 HP BASE MOUNTED SIMPLEX COMPRESSOR	Print No: Dwg: Chk'd	ESJL33S-1 Scale: Not to. Wt Dist: +-5lbs
Typical only. Data & specifications may be subject to change. May not include accessory items for any particular order.			Project Reference:	