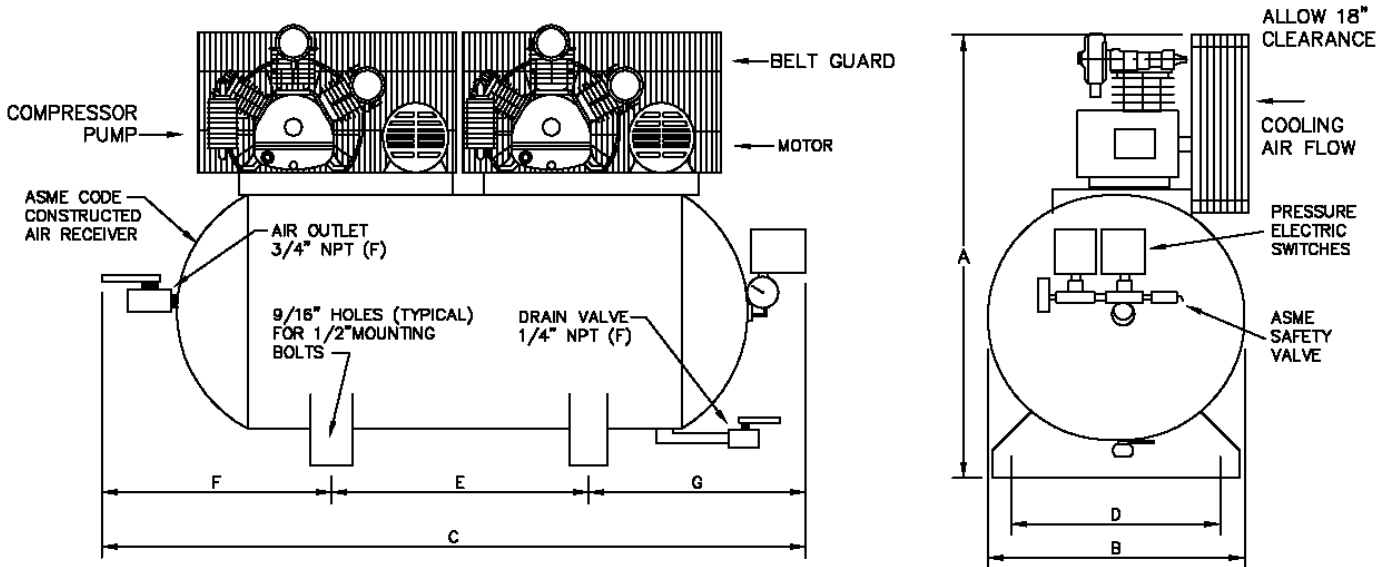


# OMEGA COMPRESSORS

For us, it's not just business. It's personal.

BF-DX-5080



### PERFORMANCE DATA

MODEL	HP	DELIVERY		PRESSURE SETTINGS		RECEIVER		COMPRESSOR			
		SCFM	L/S	PSIG	KPA	Gal	US. LITERS	PUMP	RPM	CYL	STGS
BF-DX-5080	5	18	8.50	70-90	483-621	80	302	BF-50	900	2	1

### DIMENSIONAL DATA (inches)

MODEL	A	B	C	D	E	F	G
BF-DX-5080	45	22	77	18.75	36	20.5	20.5

### WT. DISTRIBUTION (Lbs)

FT.1	FT.2	FT.3	FT.4	TOTAL
161	244	126	228	759

### ELECTRICAL DATA (60Hz)

APPROX. FULL LOAD AMPS						
HP.	Single Phase		Three Phase			
	110V.	220V.	200V.	230V.	460V.	575V.
5	N/A	21.0	15.0	13.8	6.9	5.5

BELT GUARD SIDE	
2	4
1	3

OMEGA AIR COMPRESSORS	OIL LESS DUPLEX	5HP TANK MOUNTED DUPLEX COMPRESSOR	Print No: Dwg: Chk'd	ESJL33S-1 Scale: Not to. Wt Dist: +-5lbs
--------------------------	--------------------	---------------------------------------	----------------------------	--

Typical only. Data & specifications may be subject to change.  
May not include accessory items for any particular order.

Project Reference: