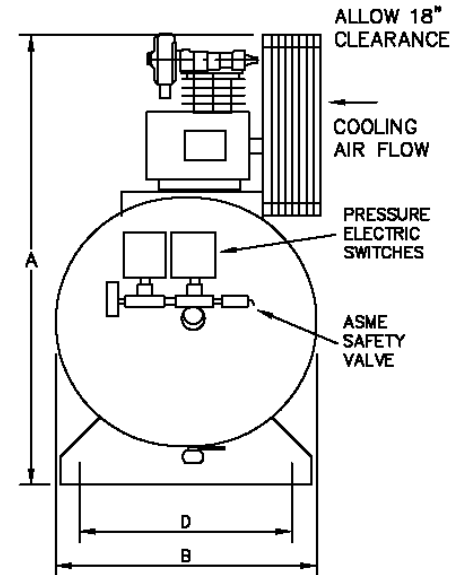
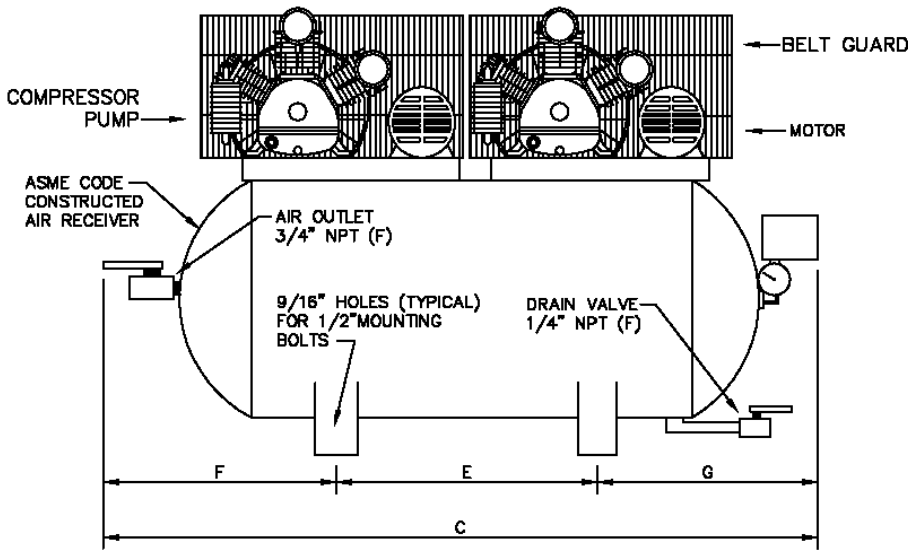


# OMEGA COMPRESSORS

For us, it's not just business. It's personal.

BF-DX-50120



### PERFORMANCE DATA

MODEL	HP	DELIVERY		PRESSURE SETTINGS		RECEIVER		COMPRESSOR			
		SCFM	L/S	PSIG	KPA	Gal	US. LITERS	PUMP	RPM	CYL	STGS
BF-DX-50120	5	18	8.50	70-90	483-621	120	454	BF-50	900	2	1

### DIMENSIONAL DATA (inches)

MODEL	A	B	C	D	E	F	G
BF-DX-50120	48	27	86	23.75	42	22	22

### WT. DISTRIBUTION (Lbs)

FT.1	FT.2	FT.3	FT.4	TOTAL
190	289	149	270	898

### ELECTRICAL DATA (60Hz)

HP.	APPROX. FULL LOAD AMPS					
	Single Phase		Three Phase			
	110V.	220V.	200V.	230V.	460V.	575V.
5	N/A	21.0	15.0	13.8	6.9	5.5

BELT GUARD SIDE	
2	4
1	3

OMEGA AIR COMPRESSORS	OIL LESS DUPLEX	5HP TANK MOUNTED DUPLEX COMPRESSOR	Print No: Dwg: Chk'd	ESJL33S-1 Scale: Not to. Wt Dist: +-5lbs
Typical only. Data & specifications may be subject to change. May not include accessory items for any particular order.			Project Reference:	