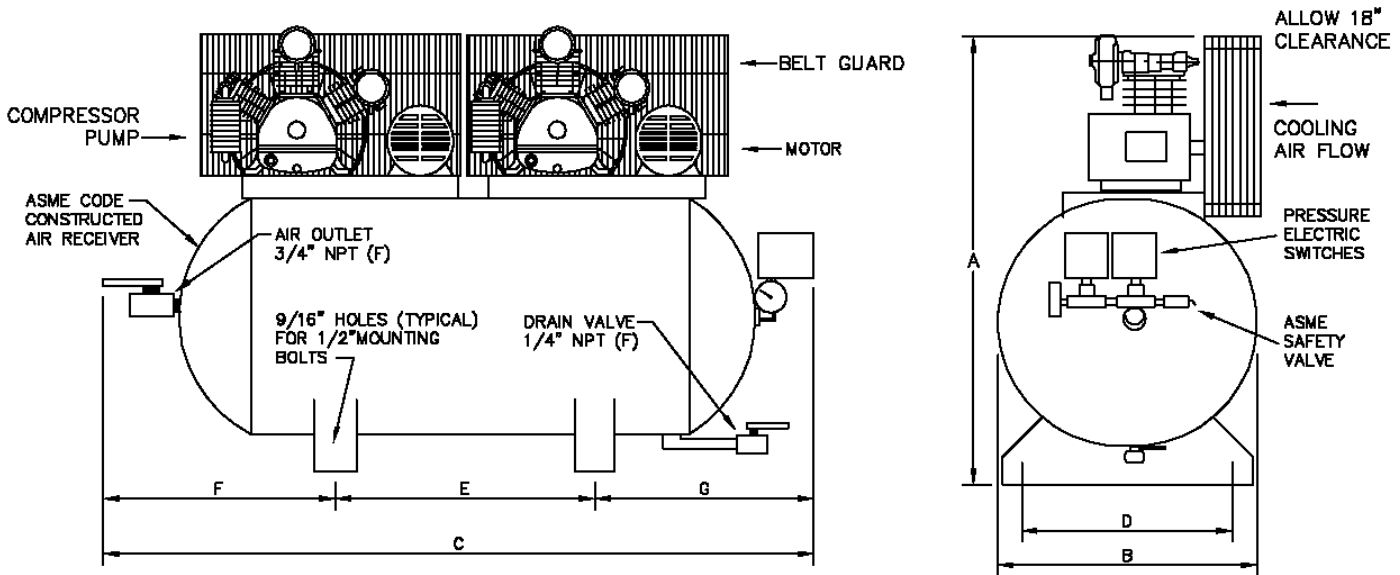


# OMEGA COMPRESSORS

For us, it's not just business. It's personal.

BF-DX-0380



### PERFORMANCE DATA

MODEL	HP	DELIVERY		PRESSURE SETTINGS		RECEIVER		COMPRESSOR			
		SCFM	L/S	PSIG	KPA	Gal US.	LITERS	PUMP	RPM	CYL	STGS
BF-DX-0380	3	12X2	5.7X2	70-90	483-621	80	302	BF-50	691	2	1

### DIMENSIONAL DATA (inches)

MODEL	A	B	C	D	E	F	G
BF-DX-0380	45	22	77	18.75	36	20.5	20.5

### WT. DISTRIBUTION (Lbs)

FT.1	FT.2	FT.3	FT.4	TOTAL
161	244	126	228	759

### ELECTRICAL DATA (60Hz)

HP.	APPROX. FULL LOAD AMPS					
	Single Phase		Three Phase			
	110V.	220V.	200V.	230V.	460V.	575V.
3	33.60	16.8	9.0	8.4	4.2	3.4

BELT GUARD SIDE	
2	4
1	3

<b>OMEGA AIR COMPRESSORS</b>	<b>OIL LESS DUPLEX</b>	<b>3HP TANK MOUNTED DUPLEX COMPRESSOR</b>	Print No: Dwg: Chk'd	<b>ESJL33S-1</b> Scale: Not to. Wt Dist: +-5lbs
------------------------------	------------------------	---	----------------------------	---

Typical only. Data & specifications may be subject to change.  
May not include accessory items for any particular order.

Project Reference: