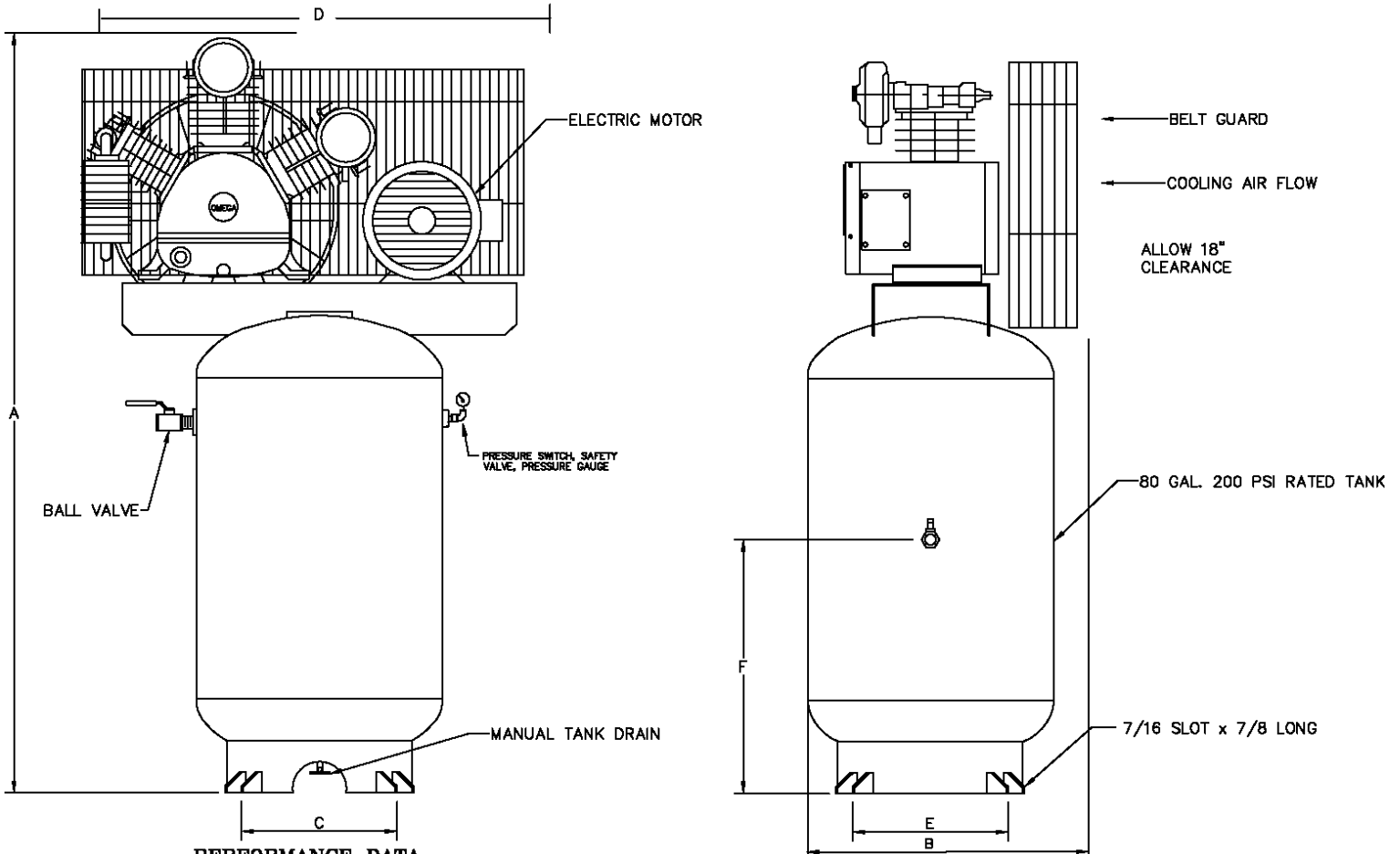


OMEGA COMPRESSORS

For us, it's not just business. It's personal.

BF-7580V



PERFORMANCE DATA

| MODEL | HP | DELIVERY | | PRESSURE SETTINGS | | RECEIVER | | COMPRESSOR | | | |
|----------|-----|----------|-------|-------------------|---------|----------|--------|------------|-----|-----|------|
| | | SCFM | L/S | PSIG | KPA | Gal US. | LITERS | PUMP | RPM | CYL | STGS |
| BF-7580V | 7.5 | 22 | 10.38 | 70-90 | 483-621 | 80 | 302 | BF-100 | 750 | V-2 | 1 |

DIMENSIONAL DATA (inches)

| MODEL | A | B | C | D | E | F | G |
|----------|----|----|----|----|----|----|-----|
| BF-7580V | 74 | 25 | 16 | 40 | 16 | 40 | N/A |

WT. DISTRIBUTION (Lbs)

| FT.1 | FT.2 | FT.3 | FT.4 | TOTAL |
|------|------|------|------|-------|
| 165 | 198 | 106 | 192 | 661 |

ELECTRICAL DATA (60Hz)

| HP. | APPROX. FULL LOAD AMPS | | | | | |
|-----|------------------------|-------|-------------|-------|-------|-------|
| | Single Phase | | Three Phase | | | |
| | 110V. | 220V. | 200V. | 230V. | 460V. | 575V. |
| 7.5 | N/A | 36.0 | 21.6 | 19.6 | 9.8 | 7.8 |

| BELT GUARD SIDE | |
|-----------------|---|
| 2 | 4 |
| 1 | 3 |

| | | | | |
|------------------------------|------------------------|--|----------------------------|--|
| OMEGA AIR COMPRESSORS | OIL FREE SERIES | 7.5HP TANK MOUNTED SIMPLEX COMPRESSOR | Print No: Dwg: Chk'd | ESJL33S-1 Scale: Not to. Wt Dist: +-5lbs |
|------------------------------|------------------------|--|----------------------------|--|

Typical only. Data & specifications may be subject to change. May not include accessory items for any particular order.

Project Reference: