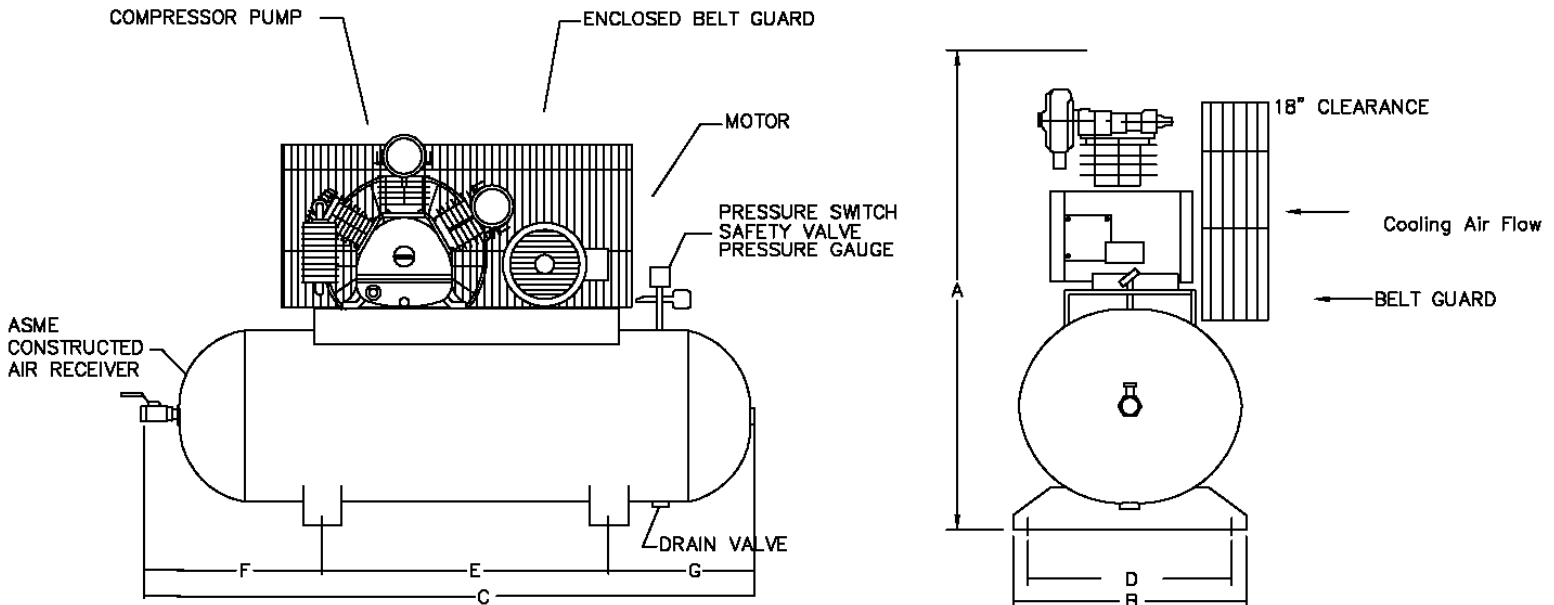


# OMEGA COMPRESSORS

For us, it's not just business. It's personal.

BF-100240



### PERFORMANCE DATA

MODEL	HP	DELIVERY		PRESSURE SETTINGS		RECEIVER		COMPRESSOR			
		SCFM	L/S	PSIG	KPA	Gal	US. LITERS	PUMP	RPM	CYL	STGS
BF-100240	10	32.5	15.34	70 - 90	483 - 621	240	907	BF-100	890	V-3	1

### DIMENSIONAL DATA (inches)

MODEL	A	B	C	D	E	F	G
BF-100240	60	33	92	27.5	54	22	16

### WT. DISTRIBUTION (Lbs)

FT.1	FT.2	FT.3	FT.4	TOTAL
292	355	192	333	1172

### ELECTRICAL DATA (60Hz)

HP.	APPROX. FULL LOAD AMPS					
	Single Phase		Three Phase			
	110V.	220V.	200V.	230V.	460V.	575V.
10	N/A	N/A	27.0	25.0	12.5	10.0

BELT GUARD SIDE	
2	4
1	3

OMEGA AIR COMPRESSORS	OIL LESS SERIES	10HP TANK MOUNTED OIL LESS COMPRESSOR	Print No: Dwg: Chk'd	ESJL33S-1 Scale: Not to. Wt Dist: +-5lbs
Typical only. Data & specifications may be subject to change. May not include accessory items for any particular order.			Project Reference:	