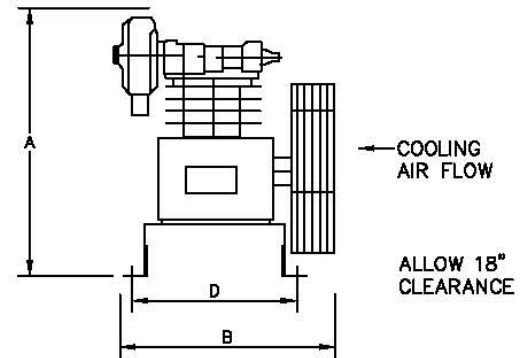
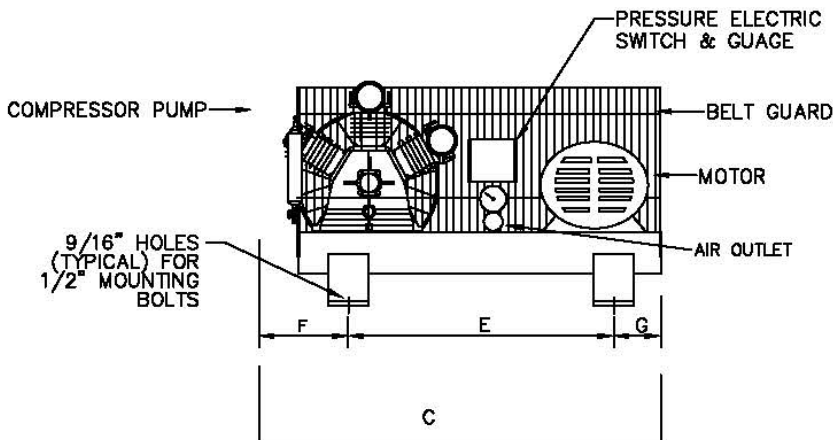


# OMEGA COMPRESSORS

For us, it's not just business. It's personal.

BF-100000



### PERFORMANCE DATA

MODEL	HP	DELIVERY		PRESSURE SETTINGS		RECEIVER		COMPRESSOR			
		SCFM	L/S	PSIG	KPA	Gal	US. LITERS	PUMP	RPM	CYL	STGS
BF-100000	10	32	15.1	70-90	483-621	N/A	N/A	BF-100	890	3	1

### DIMENSIONAL DATA (inches)

MODEL	A	B	C	D	E	F	G
BF-100000	31	24	42	15	28	10	4

### WT. DISTRIBUTION (Lbs)

FT.1	FT.2	FT.3	FT.4	TOTAL
115	138	74	135	462

### ELECTRICAL DATA (60Hz)

HP.	APPROX. FULL LOAD AMPS					
	Single Phase		Three Phase			
	110V.	220V.	200V.	230V.	460V.	575V.
10	N/A	N/A	27.0	25.0	12.5	10.0

BELT GUARD SIDE	
2	4
1	3

OMEGA AIR COMPRESSORS	INDUSTRIAL SERIES	10HP BASE MOUNTED SIMPLEX COMPRESSOR	Print No: Dwg: Chk'd	ESJL33S-1 Scale: Not to. Wt Dist: +-5lbs
--------------------------	----------------------	---	----------------------------	--

Typical only. Data & specifications may be subject to change.  
May not include accessory items for any particular order.

Project Reference: