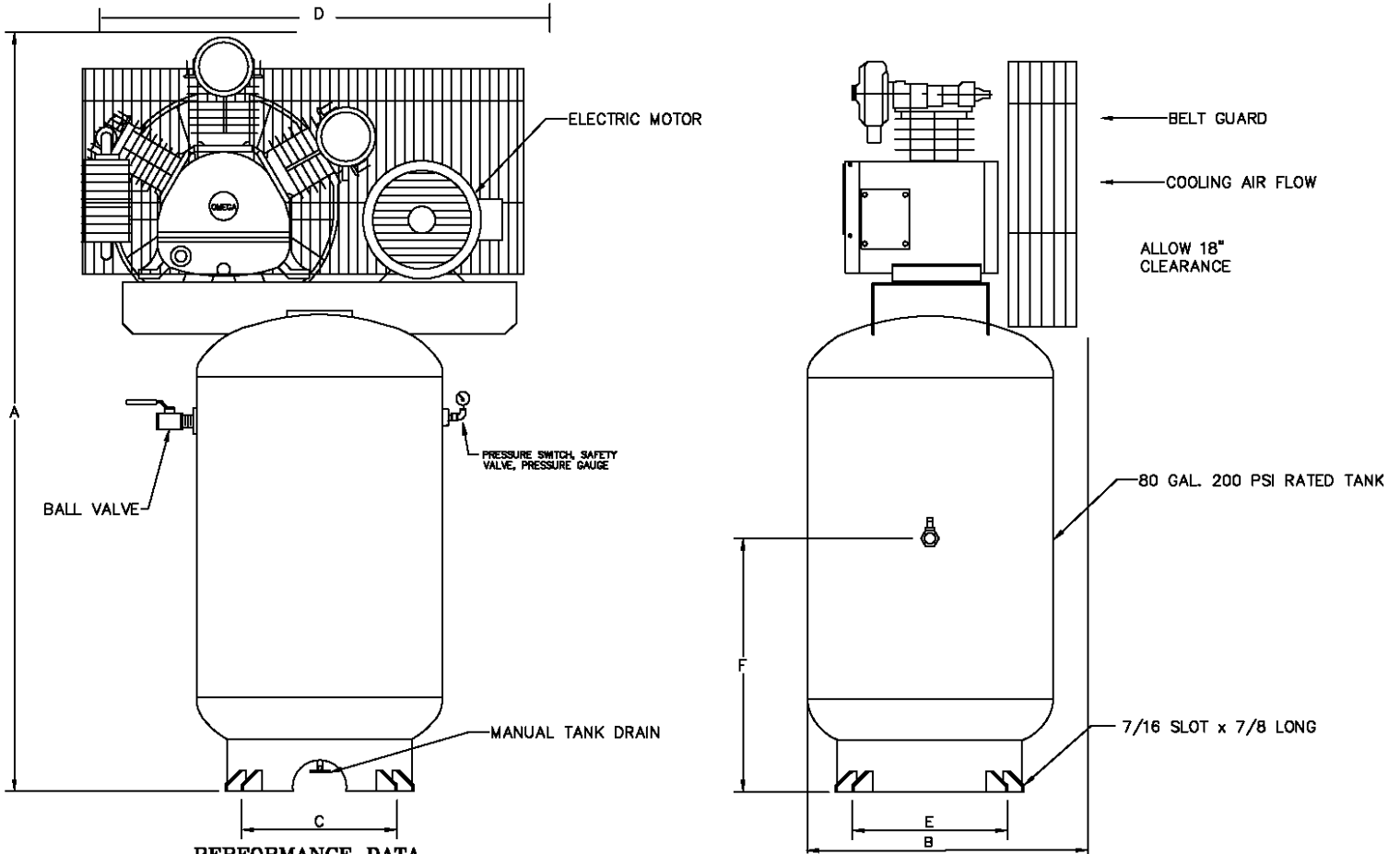


OMEGA COMPRESSORS

For us, it's not just business. It's personal.

BF-0380V



PERFORMANCE DATA

MODEL	HP	DELIVERY		PRESSURE SETTINGS		RECEIVER		COMPRESSOR			
		SCFM	L/S	PSIG	KPA	Gal US.	LITERS	PUMP	RPM	CYL	STGS
BF-0380V	3	15	7.08	70 - 90	483 - 621	80	302	BF-50	691	V-2	1

DIMENSIONAL DATA (inches)

MODEL	A	B	C	D	E	F	G
BF-0380V	70	25	16	39	16	40	N/A

WT. DISTRIBUTION (Lbs)

FT.1	FT.2	FT.3	FT.4	TOTAL
137	164	87	158	546

ELECTRICAL DATA (60Hz)

HP.	APPROX. FULL LOAD AMPS					
	Single Phase		Three Phase			
	110V.	220V.	200V.	230V.	460V.	575V.
3	33.6	16.8	9.0	8.4	4.2	3.4

BELT GUARD SIDE	
2	4
1	3

OMEGA AIR COMPRESSORS	OIL FREE SERIES	3 HP TANK MOUNTED SIMPLEX COMPRESSOR	Print No: Dwg: Chk'd	ESJL33S-1 Scale: Not to. Wt Dist: +-5lbs
Typical only. Data & specifications may be subject to change. May not include accessory items for any particular order.			Project Reference:	