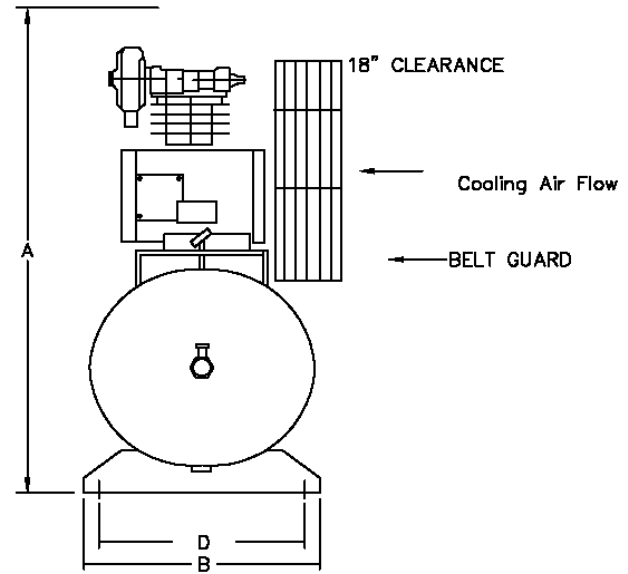
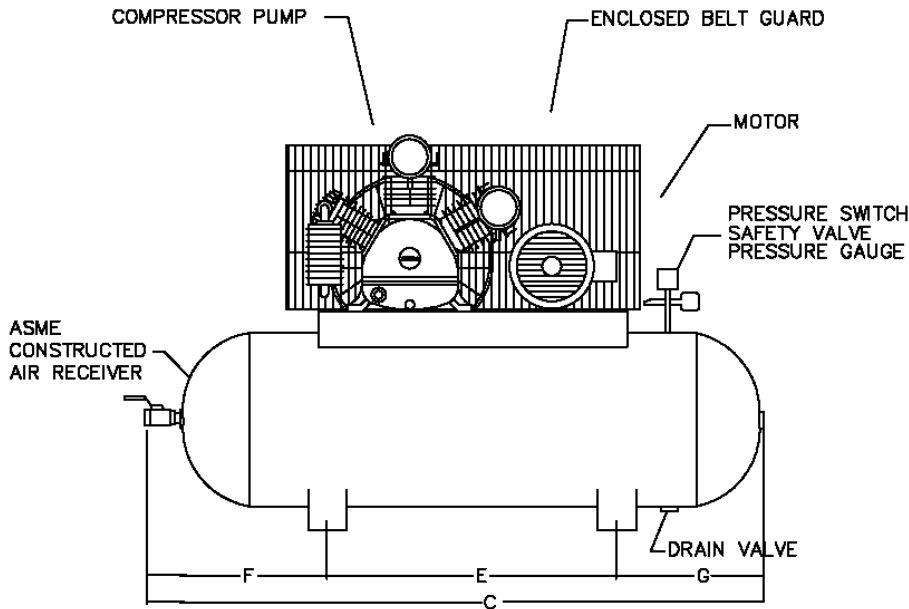


OMEGA COMPRESSORS

For us, it's not just business. It's personal.

BF-0380



PERFORMANCE DATA

MODEL	HP	DELIVERY		PRESSURE SETTINGS		RECEIVER		COMPRESSOR			
		SCFM	L/S	PSIG	KPA	Gal	US. LITERS	PUMP	RPM	CYL	STGS
BF-0380	3	15	7.08	70-90	483-620	80	302	BF-50	691	V-2	1

DIMENSIONAL DATA (inches)

MODEL	A	B	C	D	E	F	G
BF-0380	44	22	71	18.75	36	21	14

WT. DISTRIBUTION (Lbs)

FT.1	FT.2	FT.3	FT.4	TOTAL
129	157	85	149	520

ELECTRICAL DATA (60Hz)

HP.	APPROX. FULL LOAD AMPS					
	Single Phase		Three Phase			
	110V.	220V.	200V.	230V.	460V.	575V.
3	33.6	16.8	9.0	8.4	4.2	3.4

BELT GUARD SIDE	
2	4
1	3

OMEGA AIR COMPRESSORS	OIL LESS SERIES	3 HP TANK MOUNTED OIL LESS COMPRESSOR	Print No: Dwg: Chk'd	ESJL33S-1 Scale: Not to. Wt Dist: +-5lbs
Typical only. Data & specifications may be subject to change. May not include accessory items for any particular order.			Project Reference:	