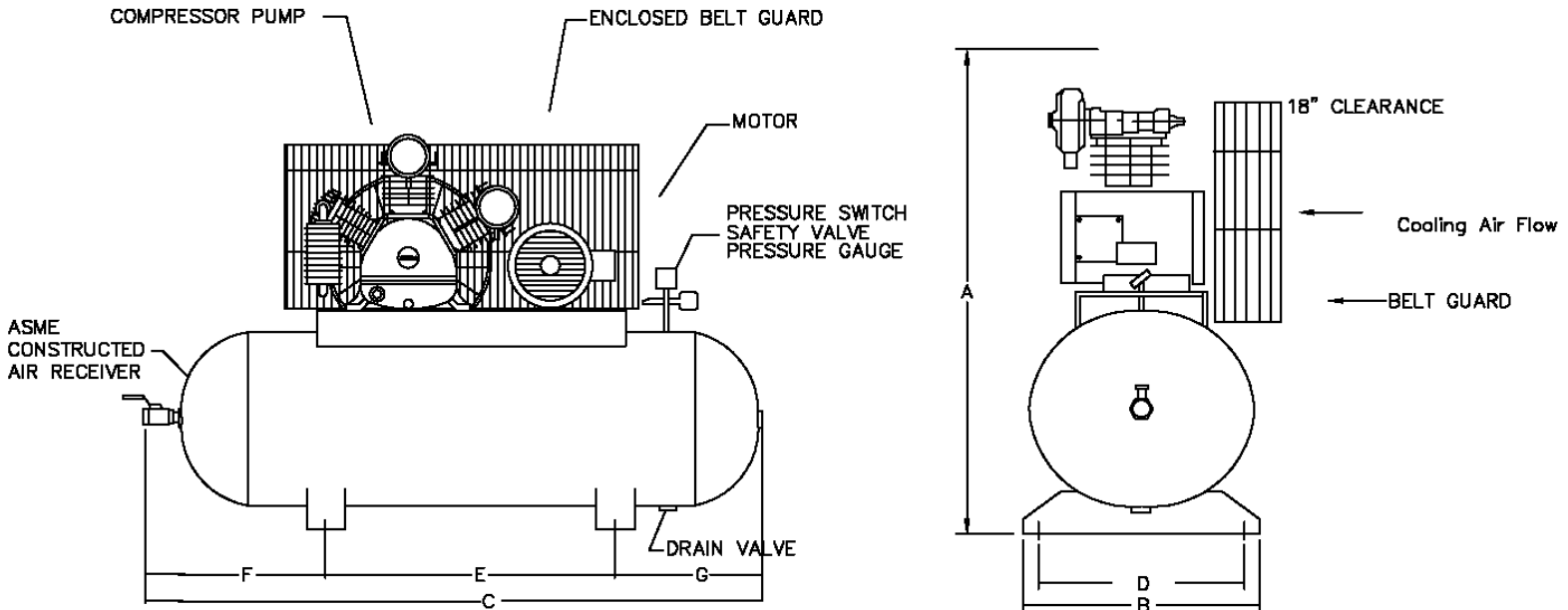


OMEGA COMPRESSORS

For us, it's not just business. It's personal.

BF-0360



PERFORMANCE DATA

MODEL	HP	DELIVERY		PRESSURE SETTINGS		RECEIVER		COMPRESSOR			
		SCFM	L/S	PSIG	KPA	Gal	US. LITERS	PUMP	RPM	CYL	STGS
BF-0360	3	15	7.08	120-150	828-1034	60	227	BF-50	691	V-2	1

DIMENSIONAL DATA (inches)

MODEL	A	B	C	D	E	F	G
BF-0360	47	21	55	18.75	24	17	14

WT. DISTRIBUTION (Lbs)

FT.1	FT.2	FT.3	FT.4	TOTAL
118	144	78	136	476

ELECTRICAL DATA (60Hz)

APPROX. FULL LOAD AMPS						
HP.	Single Phase		Three Phase			
	110V.	220V.	200V.	230V.	460V.	575V.
3	33.6	16.8	9.0	8.4	4.2	3.4

BELT GUARD SIDE	
2	4
1	3

OMEGA AIR COMPRESSORS	OIL LESS SERIES	3 HP TANK MOUNTED OIL LESS COMPRESSOR	Print No: Dwg: Chk'd	ESJL33S-1 Scale: Not to. Wt Dist: +-5lbs
Typical only. Data & specifications may be subject to change. May not include accessory items for any particular order.			Project Reference:	